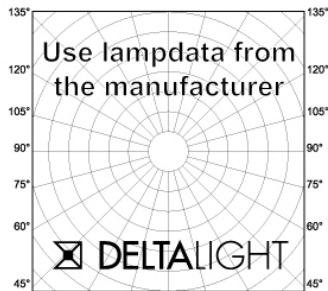
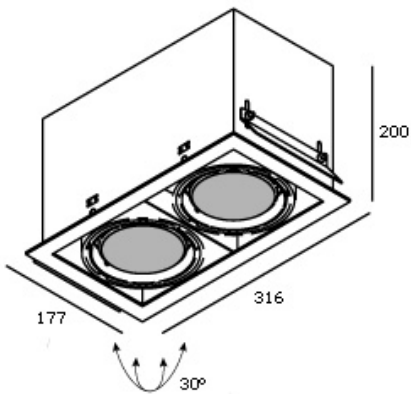


## GRID IN 2 C30

202 62 11 02







**L** 306 x 167 x 210

◇ = A-B

ADJUSTABLE 0°- 30°

E27Hs / 230-240V / 50-60Hz / EXCL.EVG

 2 x HIPAR30 35-70W

◇    2.4 IP20 850°C   1,0

### OPTIONS :

PLASTERKIT 121

BALLASTSET HID

### ACCESOIRES :

CONE 111

CONE / CLIP 111 + UV-FILTER C30

For detailed installation instructions, please consult the manual.

 **DELTALIGHT®**

**Headquarters** Delta Light nv - Muizelstraat 2 - 8560 Wevelgem (Moorsele)  
**Tel** +32 56 435 735 **Fax** +32 56 435 736 **Email** info@deltalight.com

## GRID IN 2 C30

202 62 11 02



© Delta Light 2008

 **DELTA**LIGHT®

**Headquarters** Delta Light nv - Muizelstraat 2 - 8560 Wevelgem (Moorsele)  
**Tel** +32 56 435 735 **Fax** +32 56 435 736 **Email** info@deltalight.com