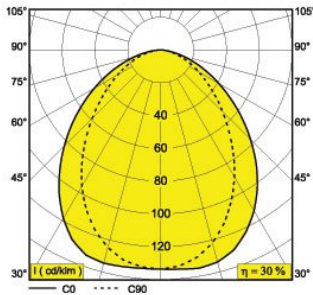
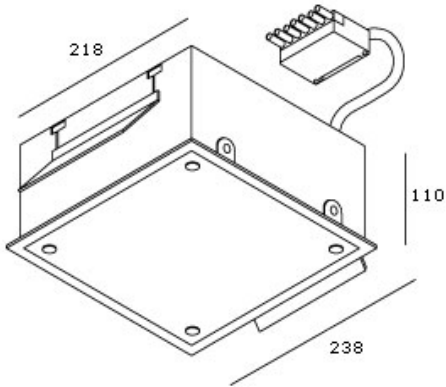


COMPAC 226 SBL EVG-EVG DIM

202 45 226 SBL E-ED



227 x 227 x 145

◇ = A

INCL.1 x COMPAC GLASS SBL

INCL.1 x CONNECTOR 4P

INCL.1 x CONNECTOR 5P

G24q-3 / 230-240V / 50-60Hz / EXCL.BALLASTSET 226 EVG-EVG DIM

2 x TC-DEL 26W

◇ CE   2.6 IP44/20 850°C   0,1

OPTIONS :

BALLASTSET 226 EVG

BALLASTSET 226 EVG DIM 2

PLASTERKIT 117

CONCRETE BOX 117

CONCRETE BOX 117 E

For detailed installation instructions, please consult the manual.

 DELTALIGHT®

Headquarters Delta Light nv - Muizelstraat 2 - 8560 Wevelgem (Moorsele)
Tel +32 56 435 735 Fax +32 56 435 736 Email info@deltalight.com

COMPAC 226 SBL EVG-EVG DIM
202 45 226 SBL E-ED



© Delta Light 2008



Headquarters Delta Light nv - Muizelstraat 2 - 8560 Wevelgem (Moorsele)
Tel +32 56 435 735 **Fax** +32 56 435 736 **Email** info@deltalight.com