

Itis Black



Itis Black

Naoto Fukasawa
2006

Material

Metal, polycarbonate, zamak

Description

Painted zamak base; painted metal stem; painted metal and polycarbonate head; satin transparent polycarbonate diffuser. Two articulations connect the stem to the base and the head which allow the stem to be tilted from 0° to 90° and the head to be rotated 180°.

Lighting Features

Diffused And Direct

IP 20
E14
E27
E26

Technical Specifications

General Information

Model: Itis Black
 Code: 1438050A
 Color: Black
 Material: Metal, polycarbonate, zamak
 Design: Naoto Fukasawa
 Year: 2006
 Voltage: 120V, 220V
 Power: 180W
 Base: E14, E27, E26

Lighting Features

Lighting Type: Diffused And Direct

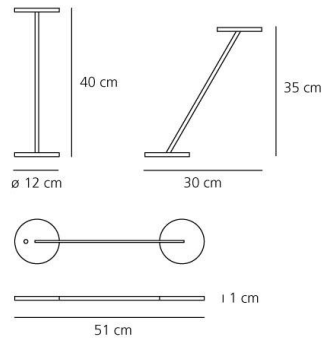
Dimensions

Height: 51 cm
 Stem Length: 30 cm
 Head Diameter: 40 cm
 Base Diameter: 12 cm
 Weight: 180 g
 Base Type: E14, E27, E26

Lighting Options

Light Source: LED
 Quantity: 5
 Type: Led
 Voltage: 12V

Dimensions



Lighting Features

IP 20
E14
E27
E26

Lighting Options

Lighting Options

Light Source: Remote
 Quantity: 12V