

Lotek

Lotek



Lotek

Javier Mariscal
2011

Lotek

Painted steel base; painted aluminium head; arms in anodized aluminium.

Lotek

Lotek is a blend of simple form and sophisticated technology with an extremely mobile arm that will satisfy a wide range of lighting needs: "it is suited for reading, as well as for PC working. The result combines the essential character of the first table lamp with mobile arms of the twentieth century with the next-generation LED source technology. The past is the present in its DNA, as revealed by its shape, its function, and the materials it is made of. I think each project should comply with certain minimum eco-sustainability standards, and all the materials used to create Lotek are recyclable. There is no future without past."

The structure is made of standard aluminium tubes simply and very visibly joined together like pieces in a children's game – play is always an important component in Mariscal's life and a constant presence in his designs

Lotek



Adjustable



Lotek

Lotek

Lotek

Lotek

Lotek

Lotek

Lotek

Lotek

Lotek

Lotek

Lotek

Lotek

Lotek

Lotek

Lotek

Lotek

Lotek

Lotek

Lotek

Lotek

Lotek

Lotek

Lotek

Lotek

Lotek

Lotek

Lotek

Lotek

Lotek

Lotek

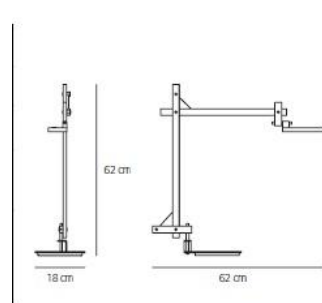
Lotek

Lotek

Lotek

Lotek

Lotek



Lotek



Lotek

Lotek

Lotek

Lotek

Lotek

Lotek

Lotek

Lotek

Lotek

Lotek

Lotek

