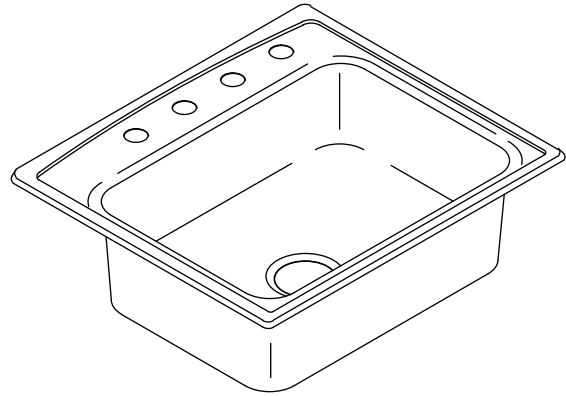


Features

- 18-gauge stainless steel
- Single bowl
- Includes installation hardware
- Top-mount
- 3-hole (-3) or 4-hole (-4)
- 25" (635 mm) x 22" (559 mm)

TOP-MOUNT KITCHEN SINK K-3348



Codes/Standards Applicable

Specified model meets or exceeds the following:

- ASME A112.19.3/CSA B45.4

Colors/Finishes

- NA: None applicable

Accessories

- CP: Polished Chrome
- NA: None applicable
- Other: Refer to Price Book for additional colors/finishes

Specified Model

Model	Description	Colors/Finishes
K-3348-3	Top-mount kitchen sink – 3-hole	<input type="checkbox"/> NA
K-3348-4	Top-mount kitchen sink – 4-hole (shown)	<input type="checkbox"/> NA

Optional Accessories			
K-8801	Duostrainer® sink strainer	<input type="checkbox"/> CP	<input type="checkbox"/> Other_____
1177161	Installation hardware kit - for countertops of 2-1/2" (64 mm) thickness or less	<input type="checkbox"/> NA	
Countertop cutting boards and additional sink strainer options are available (refer to the KOHLER Price Book)			

Product Specification

The top-mount kitchen sink shall be made of 18-gauge stainless steel. Sink shall be 25" (635 mm) in length and 22" (559 mm) in width. Sink shall be single bowl. Sink shall be 3-hole (-3) or 4-hole (-4). Sink shall include installation hardware. Sink shall be Kohler Model K-3348-____-NA.

TOCCATA™

Technical Information

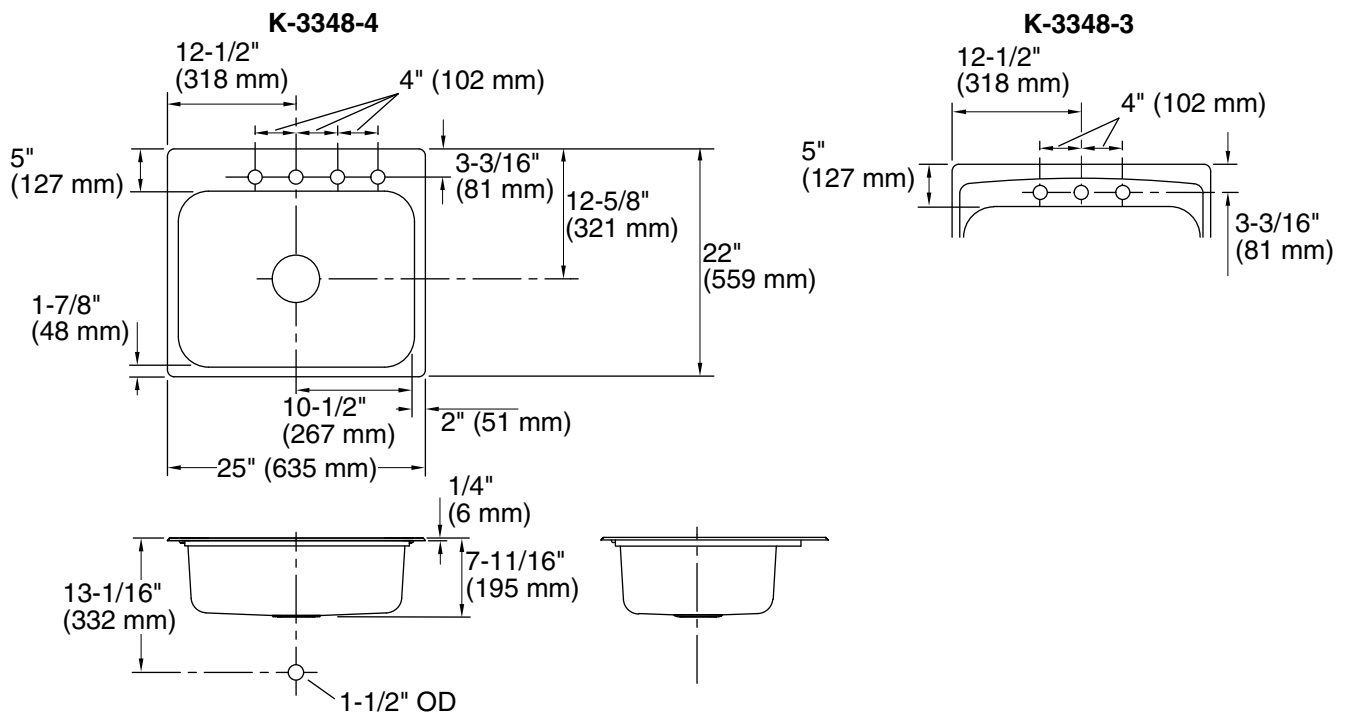
Fixture*:	
Bowl area	21" (533 mm) x 15-1/4" (387 mm)
Water depth	7" (178 mm)
Drain hole	Ø 3-5/8" (92 mm)
Faucet holes	Ø 1-7/16" (37 mm)
*Approximate measurements for comparison only.	
Included components:	
Installation hardware kit	1177160

Installation Notes

Install this product according to the installation guide.

Installer must supply mounting hardware for countertops of 2-1/2" (64 mm) thickness or less. Refer to installation kit 1177161.

Cutout dimensions: 24-1/2" (622 mm) x 21-1/2" (546 mm) with 1/2" (13 mm) radius corners.



Product Diagram