

### TOP-MOUNT KITCHEN SINK K-3347

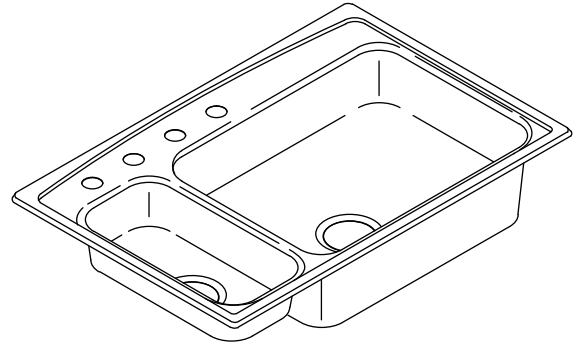
#### Features

- 19-gauge stainless steel
- Double (high/low) bowl
- Includes installation hardware
- Top-mount
- Disposal bowl available on right or left side
- 3-hole (-3) or 4-hole (-4)
- 33" (838 mm) x 22" (559 mm)

#### Codes/Standards Applicable

Specified model meets or exceeds the following:

- ASME A112.19.3/CSA B45.4



#### Colors/Finishes

- NA: None applicable

#### Accessories

- CP: Polished Chrome
- NA: None applicable
- Other: Refer to Price Book for additional colors/finishes

#### Specified Model

Model	Description	Colors/Finishes
K-3347L-3	Top-mount kitchen sink – 3-hole with disposal bowl on left side	<input type="checkbox"/> NA
K-3347R-3	Top-mount kitchen sink – 3-hole with disposal bowl on right side	<input type="checkbox"/> NA
K-3347L-4	Top-mount kitchen sink – 4-hole with disposal bowl on left side (shown)	<input type="checkbox"/> NA
K-3347R-4	Top-mount kitchen sink – 4-hole with disposal bowl on right side	<input type="checkbox"/> NA

#### Optional Accessories

Model	Description	CP	Other
K-8801	Duostrainer® sink strainer	<input type="checkbox"/> CP	<input type="checkbox"/> Other _____
K-3293	Hardwood cutting board (fits large sink bowl)	<input type="checkbox"/> NA	
1177161	Hardware kit for countertop with 2-1/2" (64 mm) thickness or less	<input type="checkbox"/> NA	

#### Product Specification

The top-mount kitchen sink shall be made of 19-gauge stainless steel. Sink shall be 33" (838 mm) in length and 22" (559 mm) in width. Sink shall be double (high/low) bowl. Sink shall be 4-hole (-4) or 3-hole (-3). Sink shall be available with a disposal bowl on the right or left side. Sink shall include installation hardware. Sink shall be Kohler Model K-3347L-\_\_\_\_\_-NA or K-3347R-\_\_\_\_\_-NA.

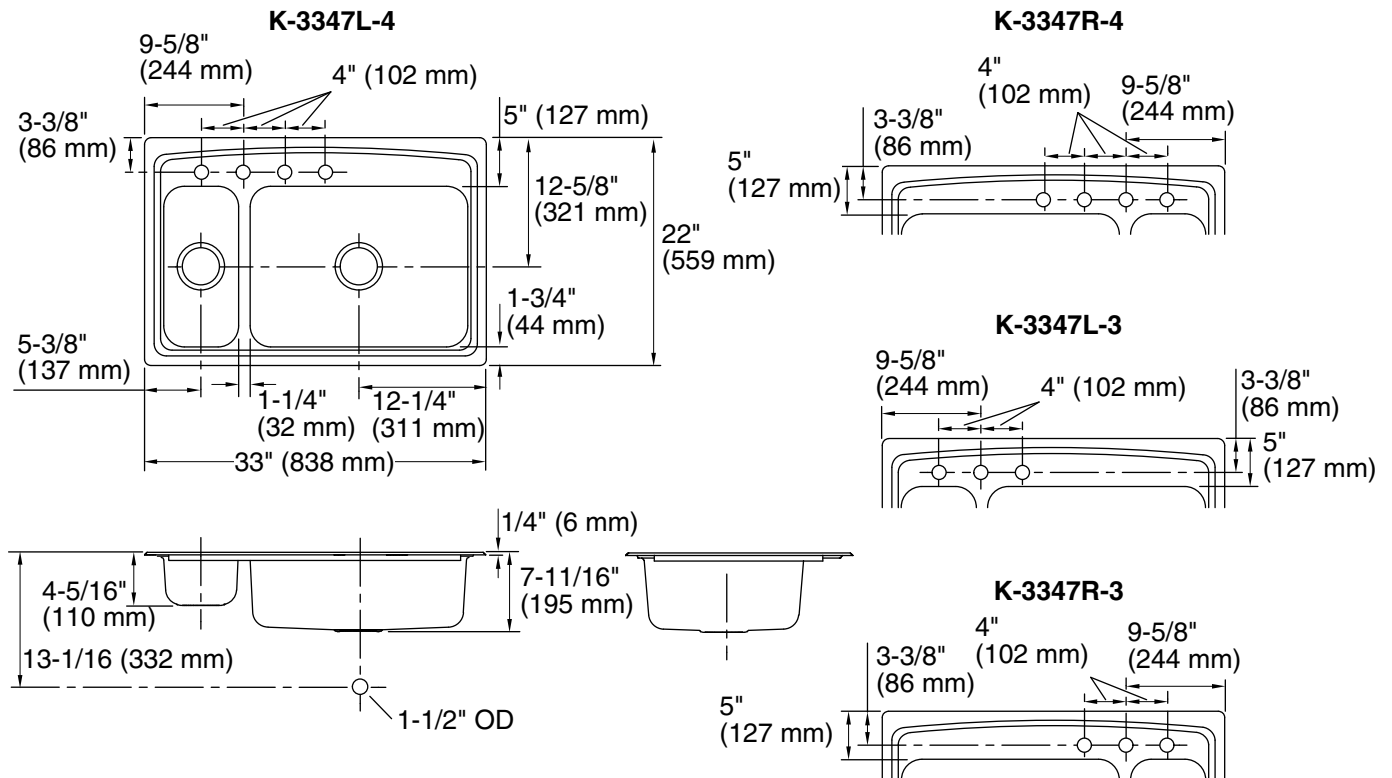
# TOCCATA™

## Technical Information

Fixture*:	
Bowl area	21" (533 mm) x 15-1/4" (387 mm)
Water depth	7" (178 mm)
Drain holes	Ø 3-5/8" (92 mm)
Faucet holes	Ø 1-7/16" (37 mm)
Disposal	
Bowl area	7-1/4" (184 mm) x 15-1/4" (387 mm)
Water depth	4-1/8" (105 mm)
* Approximate measurements for comparison only.	
Included components:	
Hardware kit – top-mount	1177160

## Installation Notes

Install this product according to the installation guide.  
Cut-out is 32-1/2" (826 mm) x 21-1/2" (546 mm) with 1/2" (13 mm) radius corners.



## Product Diagram