

## Features

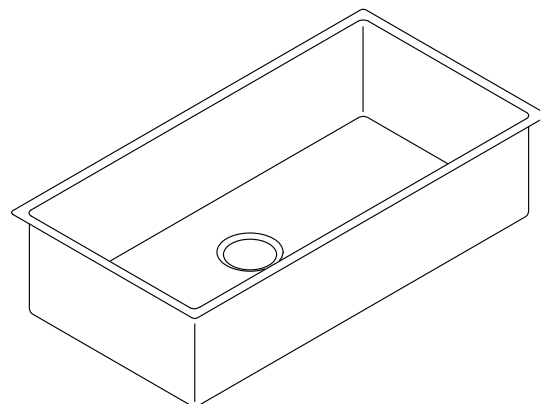
- Single bowl.
- 9-inch depth.
- No faucet holes.
- Rear drain increases workspace in the sink and allows for more storage space underneath the sink.
- SilentShield® sound-absorption technology offers quieter performance.
- Includes a combination dishcloth bar/utility shelf and a bottom bowl rack.
- Includes installation hardware.

## Material

- Handcrafted from 16-gauge stainless steel.

## Installation

- Under-mount
- Minimum base cabinet width: 36" - 39" (36" may require cabinet modifications).



For complete listing of available colors, go to [kohler.com](http://kohler.com).

## Codes/Standards

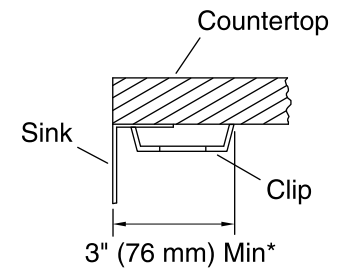
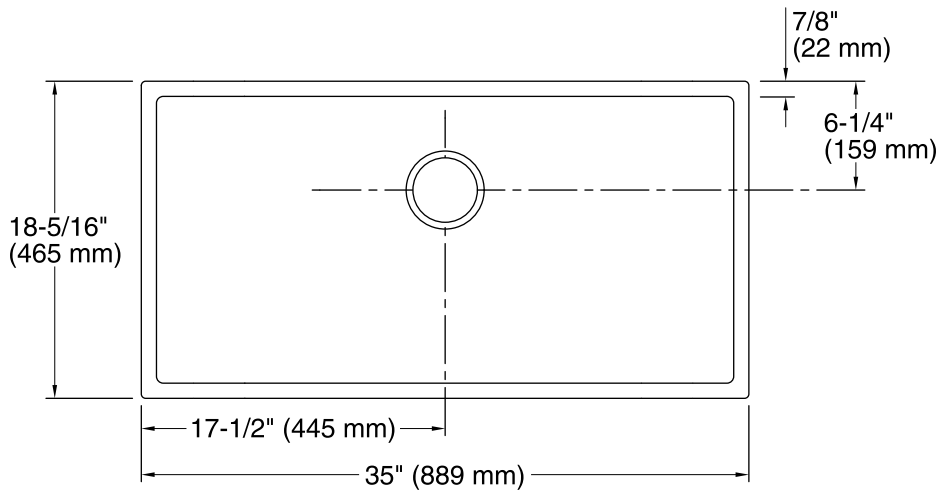
ASME A112.19.3/CSA B45.4

## Lifetime Limited Warranty for KOHLER® Stainless Steel Sinks

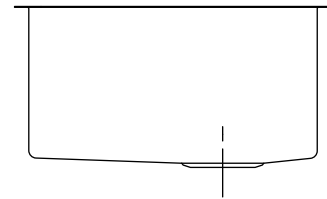
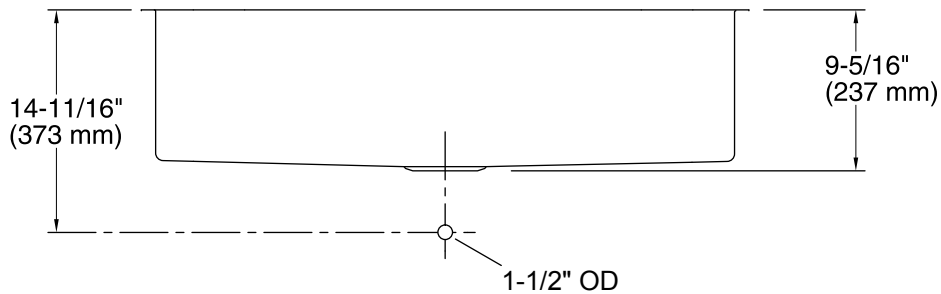
See website for detailed warranty information.

## Product Specification

Kitchen sink shall be 35" (889 mm) in length and 18-5/16" (465 mm) in width. Kitchen sink shall be made of 16-gauge stainless steel. Kitchen sink shall be single bowl. Kitchen sink shall be without faucet holes. Kitchen sink shall be under-mount installation. Kitchen sink shall be KOHLER Model K-5283.



\* Allow clearance around sink rim for clip attachment.



### Technical Information

All measurements are nominal.

Bowl configuration: Single

Bowl area (Only): 33-1/4" x 16-9/16" x 9" (845 mm x 420 mm x 229 mm)

Drain hole: 3-3/4" (94 mm)

Template: Under-mount, 1220867-7, required, included

### Installation Notes

Install this product according to the installation guide.

Minimum base cabinet width 36" - 39" (36" may require cabinet modifications). Consult an installer for confirmation.