



Undertone® Preserve™ Under-mount Kitchen Sink K-3171-HCF

Features

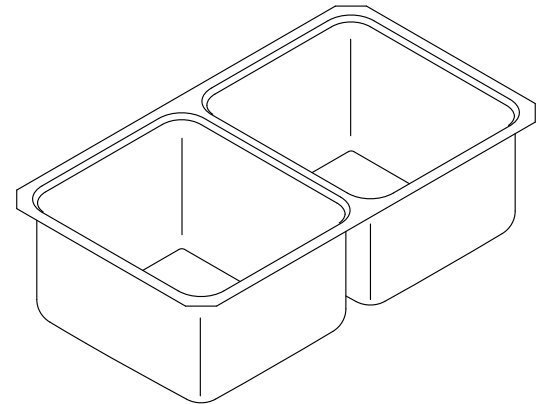
- 36-inch minimum base cabinet width.
- Double equal bowls.
- 9-1/2-inch depth provides generous workspace.
- No faucet holes.
- The innovative Preserve™ sink resists scratching and withstands the everyday wear and tear your sink endures, keeping it looking newer longer.
- Rear drain increases workspace in the sink and storage space underneath.
- SilentShield® sound-absorption technology offers quieter performance.
- Includes a bottom sink rack.
- Includes installation hardware.

Material

- 18-gauge stainless steel.

Installation

- Under-mount



For complete listing of available colors, go to kohler.com.

Codes/Standards

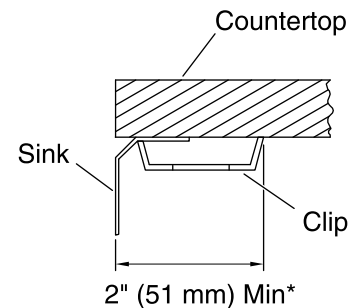
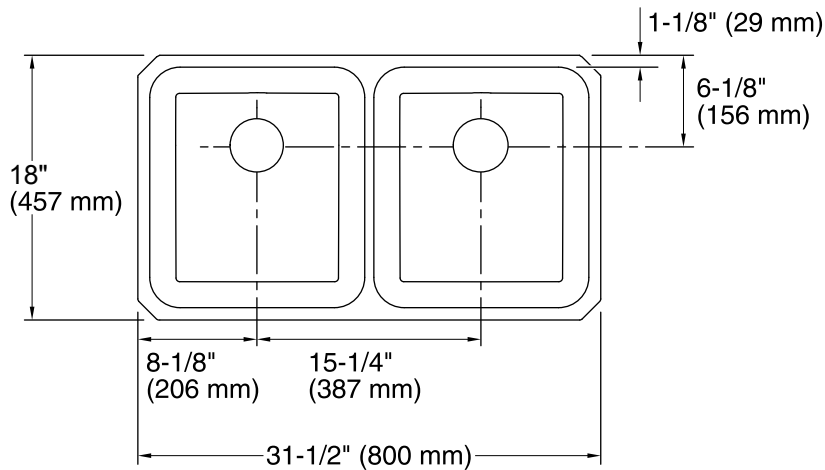
ASME A112.19.3/CSA B45.4

Lifetime Limited Warranty for KOHLER® Stainless Steel Sinks

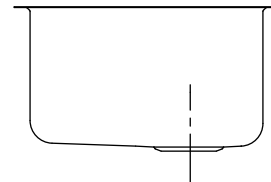
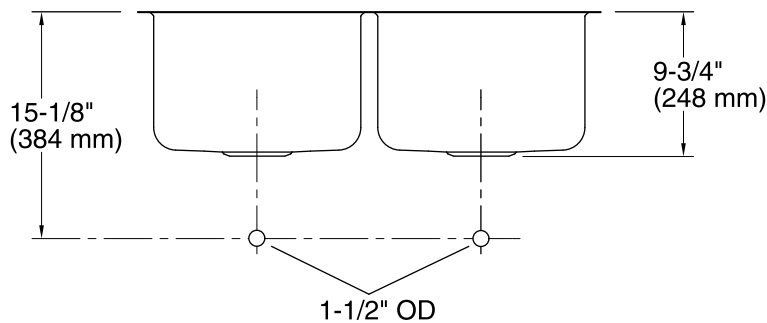
See website for detailed warranty information.

Product Specification

Kitchen sink shall be 31-1/2" (800 mm) in length and 18" (457 mm) in width. Kitchen sink shall be made of 18-gauge stainless steel. Kitchen sink resists scratching. Kitchen sink shall be a double (equal) bowls. Kitchen sink shall be without faucet holes. Kitchen sink shall be under-mount installation. Kitchen sink shall be KOHLER Model K-3171-HCF.



* Allow clearance around sink rim for clip attachment.



Technical Information

All measurements are nominal.

Bowl configuration:	Double equal
Bowl area (Left):	14" x 15-3/4" x 9-1/2" (356 mm x 400 mm x 241 mm)
Bowl area (Right):	14" x 15-3/4" x 9-1/2" (356 mm x 400 mm x 241 mm)
Drain hole:	3-3/4" (94 mm)
Template:	Under-mount, 1221369-7, required, included

Installation Notes

Install this product according to the installation guide.