

### Features

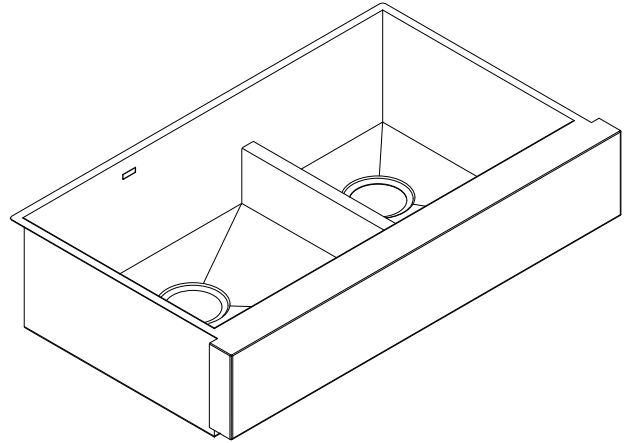
- 18-gauge stainless steel
- Under-mount apron front
- Offset bowls
- Smart Divide® lowered divider
- Includes left (large) bottom bowl rack
- Includes installation hardware
- Includes SilentShield® sound-absorption technology
- Use for standard 36" cabinet
- 35-1/2" (902 mm) x 21-1/4" (540 mm)

### Codes/Standards Applicable

Specified model meets or exceeds the following:

- ASME A112.19.3/CSA B45.4

## UNDER-MOUNT APRON FRONT KITCHEN SINK K-3945



### Colors/Finishes

- NA: None applicable

### Accessories

- CP: Polished Chrome
- ST: Stainless Steel
- Other: Refer to Price Book for additional colors/finishes

### Specified Model

Model	Description	Colors/Finishes
K-3945	Under-mount apron front kitchen sink	<input type="checkbox"/> NA
<b>Included Accessories</b>		
K-6476	Bottom bowl rack (fits large sink bowl)	<input type="checkbox"/> ST
<b>Optional Accessories</b>		
K-6432	Divider disk cloth bar	<input type="checkbox"/> ST
K-6434	Divider utility shelf	<input type="checkbox"/> ST
K-6477	Bottom bowl rack (fits small sink bowl)	<input type="checkbox"/> ST
K-8801	Duostrainer® sink strainer	<input type="checkbox"/> CP <input type="checkbox"/> Other_____

### Product Specification

The under-mount apron front sink shall be made of 18-gauge stainless steel. Sink shall feature offset bowls and Smart Divide™ lowered divider. Sink shall include left (large) bottom bowl rack and installation hardware. Sink shall include SilentShield sound-absorption technology. Sink shall be 35-1/2" (902 mm) in length and 21-1/4" (540 mm) in width. Sink shall be for use with standard 36" cabinet. Sink shall be Kohler Model K-3945-NA.

## Technical Information

Fixture*:	
Bowl area	19-11/16" (500 mm) x 17-3/16" (437 mm) 11-11/16" (297 mm) x 17-3/16" (437 mm)
Water depth	9" (229 mm)
Drain hole	Ø 3-11/16" (94 mm)
* Approximate measurements for comparison only.	

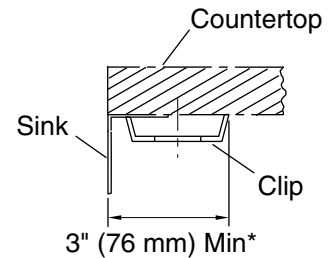
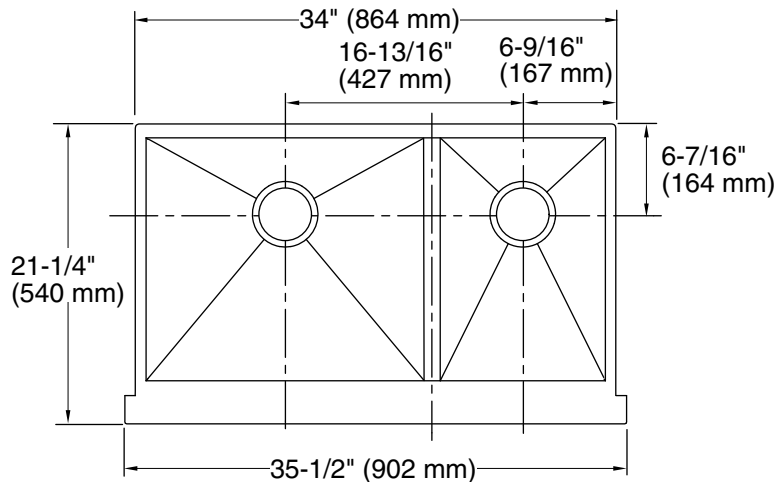
Included components:	
Hardware kit	91915
Cut-out template	1166719-7

## Installation Notes

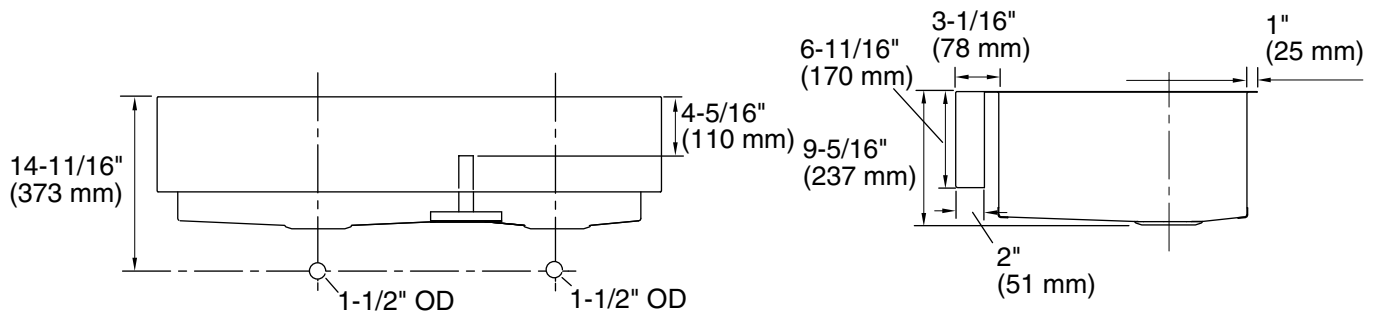
Install this product according to the installation guide.

Allow a minimum of 3" (76 mm) clearance for the back 1" (25 mm) sink rim flange for clip attachment.

The 3/4" (19 mm) side rim flanges are supported without using the clip attachment. See the installation guide for further instructions.



\*Allow clearance around the back sink rim for clip attachment.



## Product Diagram