

Features

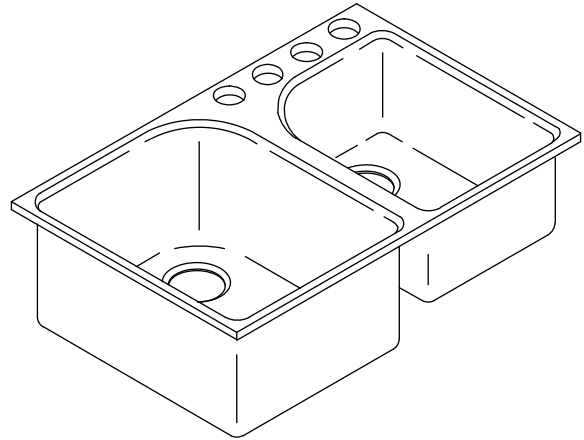
- KOHLER cast iron
- Acid-resistant enamel finish
- Under-mount
- Double (large/medium) bowl
- 4-hole (oversize)
- 23" (584 mm) under-mount sink kit included
- 33" (838 mm) x 22" (559 mm)

Codes/Standards Applicable

Specified model meets or exceeds the following:

- ASME A112.19.1/CSA B45.2

UNDER-MOUNT KITCHEN SINK K-5931-4U



Colors/Finishes

- 0: White
- Other: Refer to Price Book for additional colors/finishes

Accessories:

- CP: Polished Chrome
- 0: White
- Other: Refer to Price Book for additional colors/finishes

Specified Model

Model	Description	Colors/Finishes	
K-5931-4U	4-hole sink with under-mount sink kit 23" (584 mm)	<input type="checkbox"/> 0 White	<input type="checkbox"/> Other_____
Recommended Accessories			
K-9000	P-Trap	<input type="checkbox"/> CP	
Optional Accessories			
K-6001	Bottom bowl rack (for left bowl only)	<input type="checkbox"/> 0 White	<input type="checkbox"/> Other_____
K-6521	Wire rinse basket (for right bowl only)	<input type="checkbox"/> 0 White	<input type="checkbox"/> Other_____
K-8801	Duostrainer® sink strainer	<input type="checkbox"/> CP	<input type="checkbox"/> Other_____
K-5807	Under-mount sink kit 36" (914 mm)	<input type="checkbox"/> CP	<input type="checkbox"/> Other_____

Product Specification:

The under-mount sink shall be 33" (833 mm) in length, and 22" (559 mm) in width. Sink shall be made of cast iron with acid resistant enamel finish. Sink shall be double (large/medium) compartment. Sink shall be 4-hole (oversized) drilled. Sink shall include under-mount sink kit 23" (584 mm). Sink shall be Kohler Model K-5931-4U-_____.

EXECUTIVE CHEF™

Technical Information

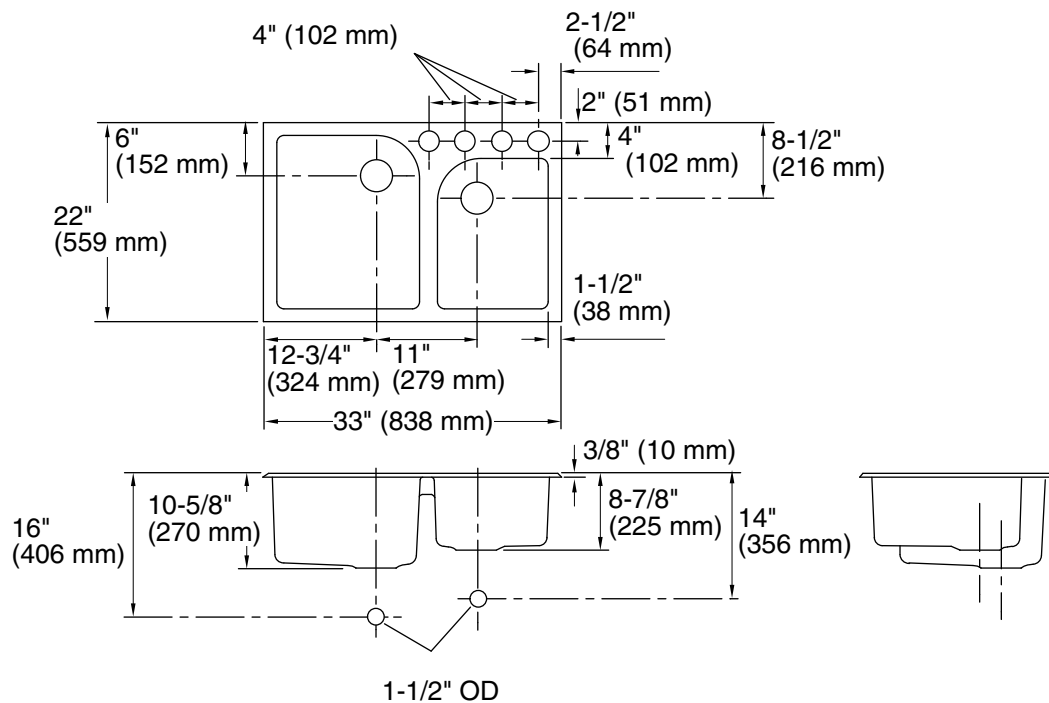
Fixture*:	Bowl area	Water depth
Sink, small	12" (305 mm) x 17" (432 mm)	7-3/4" (197 mm)
Sink, large	16" (406 mm) x 19" (483 mm)	9-3/4" (248 mm)
Drain hole	Ø 3-5/8" (92 mm)	
Faucet holes	Ø 2-3/8" (600 mm)	

* Approximate measurements for comparison only.

Included component:	
Cut-out template	116808-7
Under-mount sink kit 23" (584 mm)	1054375

Installation Notes

Install this product according to the installation guide.



Product Diagram