

### Features

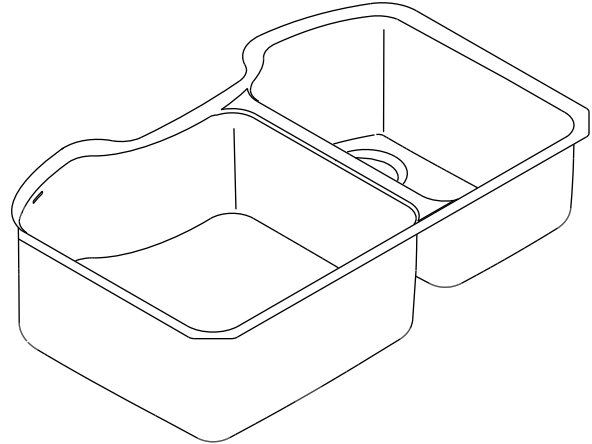
- 18-gauge stainless steel
- Under-mount
- Double (large/medium) bowl
- Includes installation hardware
- Includes SilentShield® sound-absorption technology
- Includes left bottom bowl rack, right bottom bowl rack, sponge caddy, and a bottle of stainless steel cleaner
- 32" (813 mm) x 20-1/4" (514 mm)

### Codes/Standards Applicable

Specified model meets or exceeds the following:

- ASME A112.19.3/CSA B45.4

## UNDER-MOUNT KITCHEN SINK K-3845



### Colors/Finishes

- NA: None applicable

### Accessories

- CP: Polished Chrome
- ST: Stainless Steel
- NA: None applicable
- Other: Refer to Price Book for additional colors/finishes

### Specified Model

Model	Description	Colors/Finishes
K-3845	Under-mount kitchen sink	<input type="checkbox"/> NA

Included Accessories			
K-6139	Sponge caddy	<input type="checkbox"/> ST	
K-6484	Bottom bowl rack, left	<input type="checkbox"/> ST	
K-6485	Bottom bowl rack, right	<input type="checkbox"/> ST	
1056368	Stainless steel cleaner		<input type="checkbox"/> NA

Optional Accessories			
K-8801	Duostrainer® sink strainer	<input type="checkbox"/> CP	<input type="checkbox"/> Other_____

### Product Specification

The under-mount kitchen sink shall be made of 18-gauge stainless steel. Sink shall be 32" (813 mm) in length and 20-1/4" (514 mm) in width. Sink shall feature double large/medium bowl. Sink shall include SilentShield sound-absorption technology. Sink shall also include left bottom bowl rack, right bottom bowl rack, sponge caddy, a bottle of stainless steel cleaner and installation hardware. Sink shall be Kohler Model K-3845-NA.

# OCTAVE™

## Technical Information

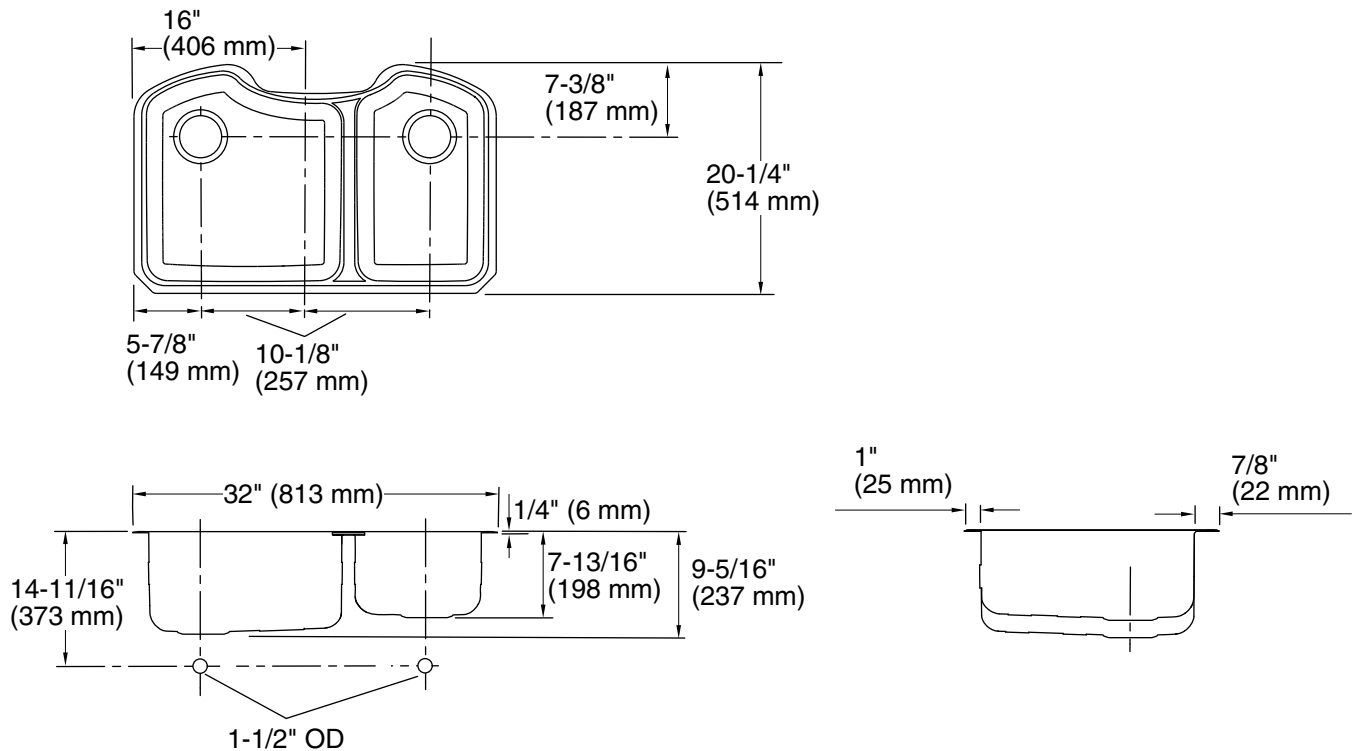
Fixture*:	
Bowl area, large	17-3/8" (441 mm) x 18-5/16" (465 mm)
Bowl area, medium	11-5/16" (287 mm) x 18-5/16" (465 mm)
Water depth, large	9" (229 mm)
Water depth, medium	7-1/2" (191 mm)
Drain hole	Ø 3-5/8" (92 mm)
* Approximate measurements for comparison only.	

Included components:	
Hardware kit – under-mount	91915
Cut-out template	1181611-7

## Installation Notes

Install this product according to the installation guide.

Allow a minimum of 2" (51 mm) clearance around the sink rim for clip attachment.



## Product Diagram