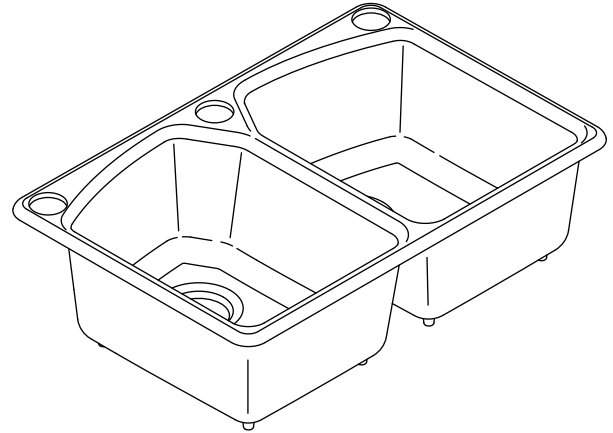


Features

- KOHLER cast iron
- Double (equal) bowl
- Under-mount
- 3-hole (oversized)
- 23" (584 mm) under-mount sink kit included
- Acid-resistant enamel finish
- 30-5/16" (770 mm) x 18-3/4" (476 mm)

UNDER-MOUNT KITCHEN SINK K-6491-3U



Codes/Standards Applicable

Specified model meets or exceeds the following:

- ASME A112.19.1/CSA B45.2

Colors/Finishes

- 0: White
- Other: Refer to Price Book for additional colors/finishes

Accessories

- ST: Stainless Steel
- CP: Polished Chrome

Specified Model

Model	Description	Colors/Finishes	
K-6491-3U	3-hole under-mount sink for single-hole faucet and accessories	<input type="checkbox"/> 0	<input type="checkbox"/> Other_____
Recommended Accessories			
K-6146	Bottom bowl rack (left)	<input type="checkbox"/> ST	
K-6147	Bottom bowl rack (right)	<input type="checkbox"/> ST	
K-9000	P-Trap	<input type="checkbox"/> CP	

Product Specification

The under-mount kitchen sink shall be made of cast iron with acid-resistant enamel finish. Sink shall be 30-5/16" (770 mm) in length and 18-3/4" (476 mm) in width. Sink shall feature double (equal) compartment. Sink shall be 3-hole (oversized). Sink shall include 23" (584 mm) under-mount sink kit. Sink shall be Kohler Model K-6491-3U-_____.

TANAGER™

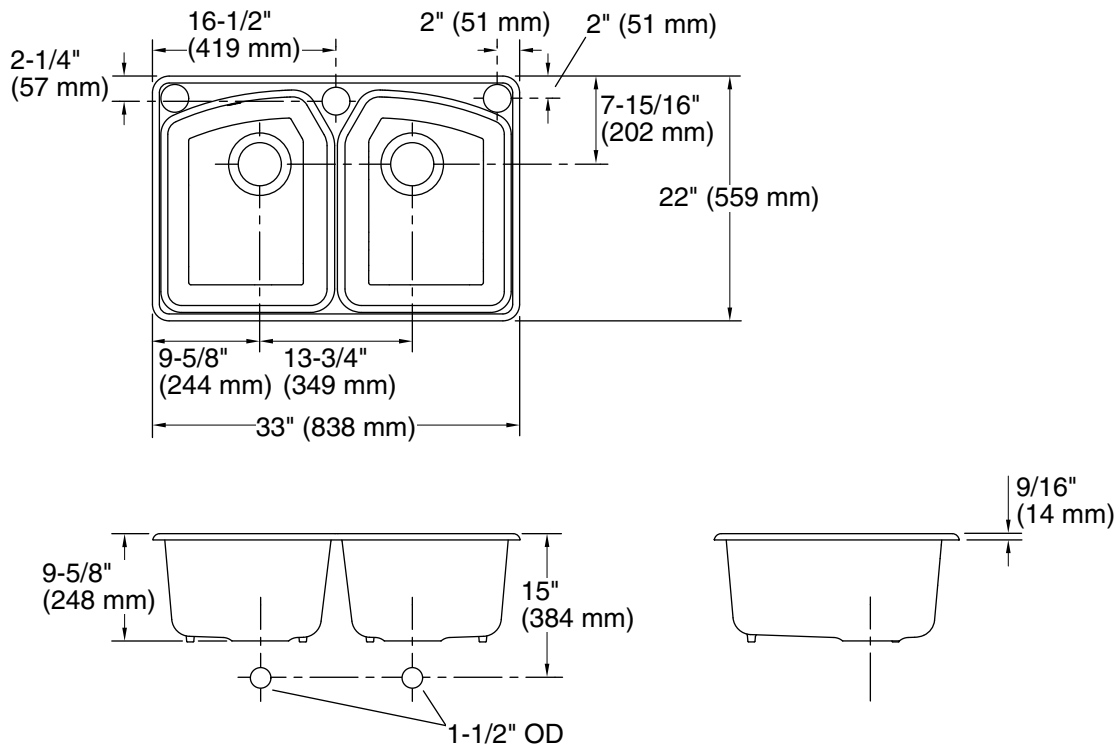
Technical Information

Fixture*:	
Bowl area	14-5/16" (364 mm) x 18-3/4" (476 mm)
Water depth	9" (229 mm)
Drain holes	Ø 3-7/8" (98 mm)
Faucet holes	Ø 2-3/8" (60 mm)
* Approximate measurements for comparison only.	

Included components:	
Cut-out template	1066422-7
Under-mount sink kit 23" (584 mm)	1054375

Installation Notes

Install this product according to the installation guide.



Product Diagram