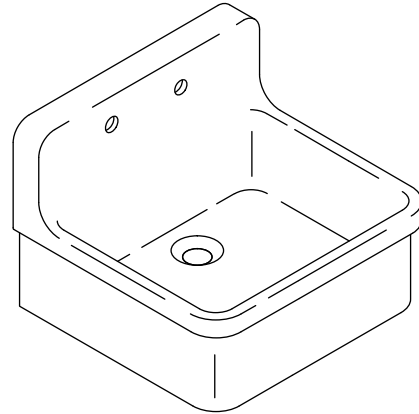


Features

- Single bowl
- With integral apron
- Vitreous china
- Wall-mount or top-mount installation
- Available with KOHLER Artist Editions designs
- Two faucet holes on 8" (203 mm) centers
- 24" (610 mm) x 22" (559 mm) x 8-5/8" (219 mm)

APRON-FRONT KITCHEN SINK K-12701



Codes/Standards Applicable

Specified model meets or exceeds the following:

- ASME A112.19.2/CSA B45.1

Colors/Finishes

- 0: White
- Other: Refer to Price Book for additional colors/finishes

Accessories

- 0: White
- CP: Polished Chrome
- PB: Vibrant® Polished Brass
- NA: None applicable
- Other: Refer to Price Book for additional colors/finishes

Specified Model

Model	Description	Colors/Finishes	
K-12701	8" (203 mm) centers sink	<input type="checkbox"/> 0	<input type="checkbox"/> Other_____
Recommended Accessories			
K-1814-P	Wall brackets	<input type="checkbox"/> NA	
K-9000	P-trap	<input type="checkbox"/> CP	
Optional Accessories			
K-5917	Countertop hardwood cutting board	<input type="checkbox"/> NA	
K-6013	Bottom bowl rack	<input type="checkbox"/> 0	<input type="checkbox"/> Other_____
K-8801	Sink strainer	<input type="checkbox"/> CP	<input type="checkbox"/> PB <input type="checkbox"/> Other_____

Product Specification

The sink shall be 24" (610 mm) in length, 22" (559 mm) in width, and 8-5/8" (219 mm) in depth. The sink shall be made of vitreous china. The sink shall have wall-mount or top-mount installation with integral apron. The sink shall be single compartment. The sink shall feature two faucet holes on 8" (203 mm) centers. Sink shall be available with KOHLER Artist Editions designs. The sink shall be Kohler Model K-12701-_____.

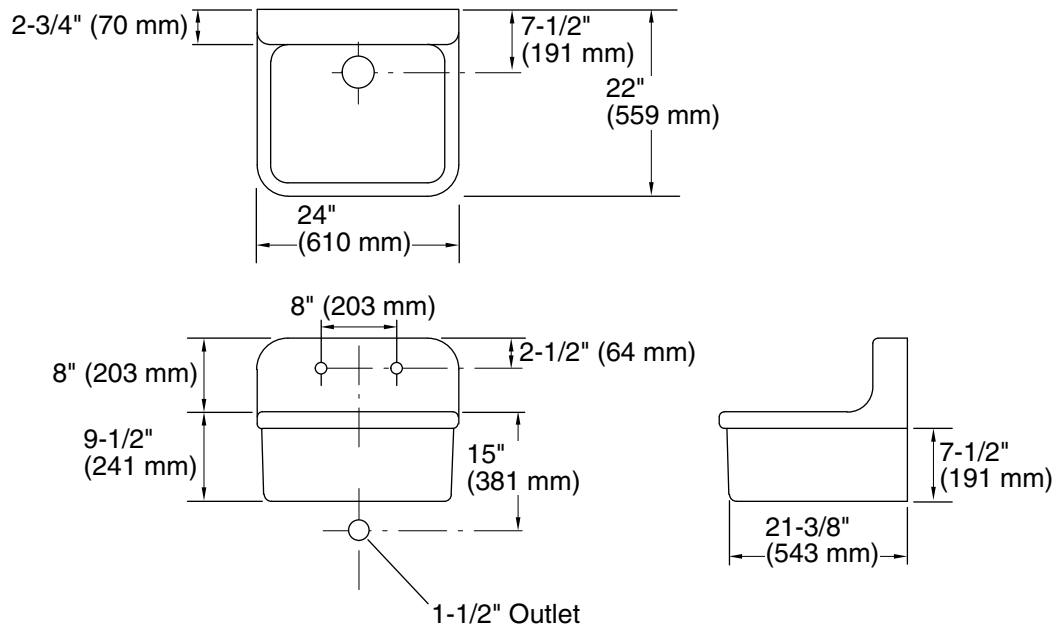
GILFORD™

Technical Information

Fixture*:	
Sink	
Bowl area	22" (559 mm) x 18" (457 mm)
Water depth	8-5/8" (219 mm)
Outlet:	
Ø 3-5/8" (92 mm)	
* Approximate measurements for comparison only.	

Installation Notes

Install this product according to the installation guide.



Product Diagram