

### Features

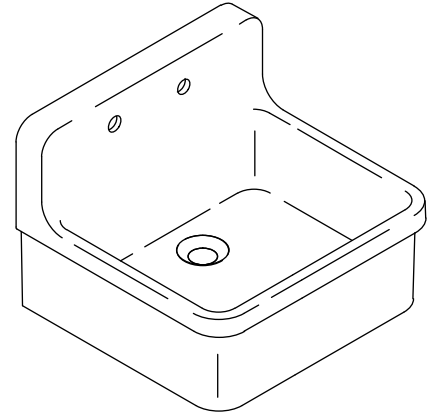
- Single bowl
- With integral apron
- Vitreous china
- A two-hole faucet drilling
- Wall-mount or drop-in installation
- 30" (762 mm) x 22" (559 mm) x 8-5/8" (219 mm)

### Codes/Standards Applicable

Specified model meets or exceeds the following:

- ASME A112.19.2/CSA B45.1

## APRON-FRONT KITCHEN SINK K-12700



### Colors/Finishes

- 0: White
- Other: Refer to Price Book for additional colors/finishes

### Accessories

- 0: White
- CP: Polished Chrome
- PB: Vibrant® Polished Brass
- NA: None applicable
- Other: Refer to Price Book for additional colors/finishes

### Specified Model

Model	Description	Colors/Finishes	
K-12700	8" (203 mm) centers sink	<input type="checkbox"/> 0	<input type="checkbox"/> Other _____

#### Recommended Accessories

K-1814-P	Wall brackets	<input type="checkbox"/> NA
K-9000	P-trap	<input type="checkbox"/> CP

#### Optional Accessories

K-5917	Countertop hardwood cutting board	<input type="checkbox"/> NA
K-6002	Bottom bowl rack	<input type="checkbox"/> 0 <input type="checkbox"/> Other _____
K-8801	Sink strainer	<input type="checkbox"/> CP <input type="checkbox"/> PB <input type="checkbox"/> Other _____

### Product Specification

The sink shall be 30" (762 mm) in length, 22" (559 mm) in width, and 8-5/8" (219 mm) in depth. The sink shall be made of vitreous china. The sink shall have wall-mount or drop-in installation with integral apron. The sink shall be single compartment. The sink shall feature a two-hole faucet drilling. The sink shall be Kohler Model K-12700-\_\_\_\_\_.

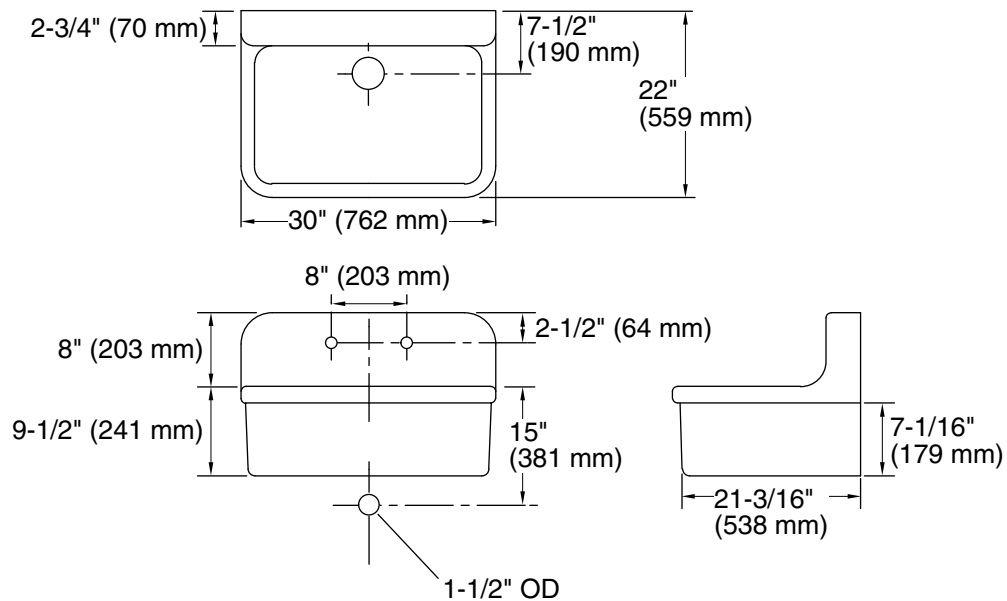
# GILFORD™

## Technical Information

Fixture*:	
Sink	
Bowl area	28" (711 mm) x 18" (457 mm)
Water depth	8-5/8" (219 mm)
Outlet:	
Ø 3-5/8" (9.2 mm)	
* Approximate measurements for comparison only.	

## Installation Notes

Install this product according to the installation guide.



## Product Diagram