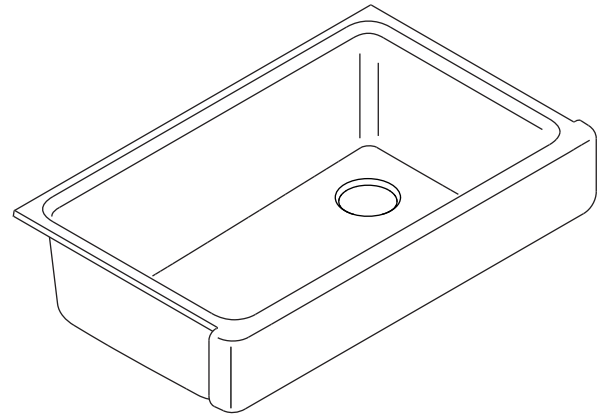


Features

- KOHLER cast iron
- Acid-resistant enamel finish
- Single bowl
- Under-mount
- With 6-11/16" (170 mm) Self-Trimming® integral apron
- Fits a standard 36" (914 mm) sink base cabinet
- 35-1/2" (902 mm) x 21-9/16" (548 mm)

UNDER-MOUNT SELF-TRIMMING® APRON FRONT KITCHEN SINK K-6488



Codes/Standards Applicable

Specified model meets or exceeds the following:

- ASME A112.19.1/CSA B45.2

Colors/Finishes

- 0: White
- Other: Refer to Price Book for additional colors/finishes

Accessories

- CP: Polished Chrome
- ST: Stainless Steel
- Other: Refer to Price Book for additional colors/finishes

Specified Model

Model	Description	Colors/Finishes	
K-6488	Under-mount Self-Trimming apron front kitchen sink – short apron	<input type="checkbox"/> 0	<input type="checkbox"/> Other_____
Recommended Accessories			
K-9000	P-Trap		<input type="checkbox"/> CP
Optional Accessories			
K-6639	Stainless steel bottom bowl rack		<input type="checkbox"/> ST
K-8801	Duostrainer® sink strainer	<input type="checkbox"/> CP	<input type="checkbox"/> Other_____

Product Specification

The kitchen sink shall be made of KOHLER cast iron with acid-resistant enamel finish. Sink shall be 35-1/2" (902 mm) in length and 21-9/16" (548 mm) in width. Sink shall be under-mount and single bowl with 6-11/16" (170 mm) Self-Trimming integral apron. Kitchen sink shall be Kohler Model K-6488-_____.

WHITEHAVEN®

Technical Information

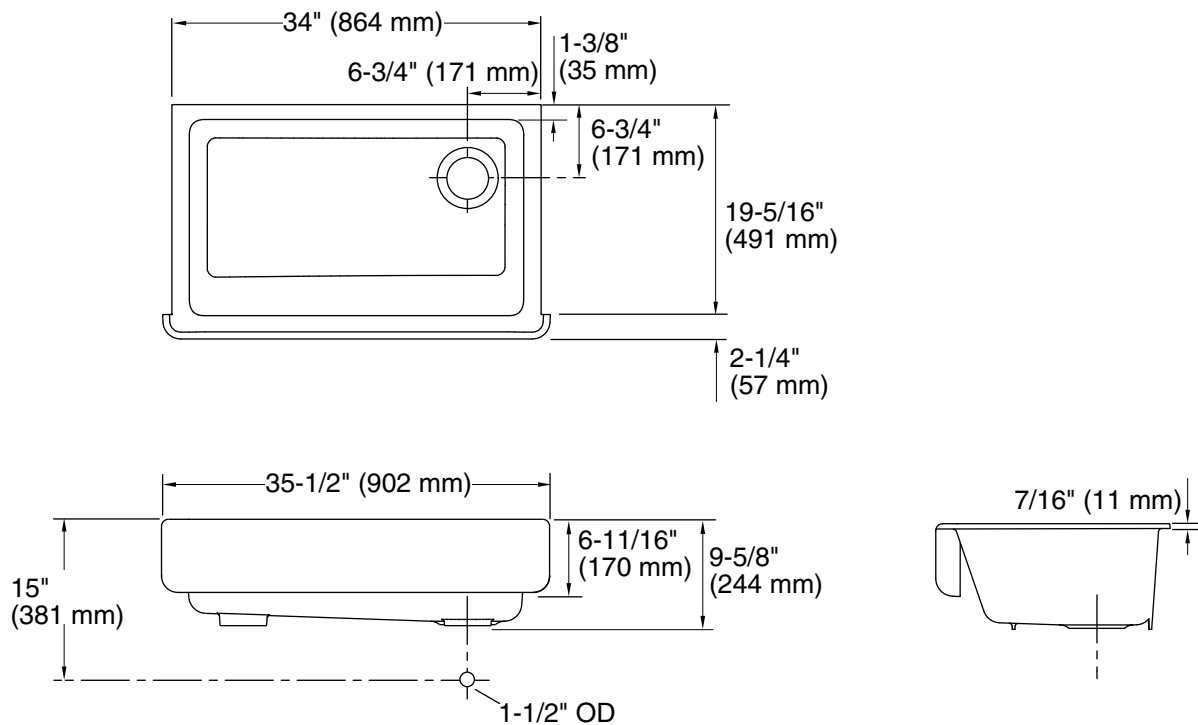
Fixture:*	
Bowl area	30-3/4" (781 mm) x 18-1/16" (459 mm)
Water depth	9" (229 mm)
Drain hole	Ø 3-5/8" (92 mm)
* Approximate measurements for comparison only.	
Included components:	
Countertop cutout template	1156910-7
Cabinet face cutout template	1211449-7

Installation Notes

Install this product according to the installation guide.

NOTICE: Countertop manufacturer or cutter must use the current product template available at www.kohler.com, or by calling 1-800-4KOHLER. Kohler Co. is not responsible for cutout errors when the incorrect cutout template is used.

IMPORTANT! The distance from the top edge of the cabinet to the top of the cabinet door must be at least 6-7/8" (175 mm) to install this sink.



Product Diagram