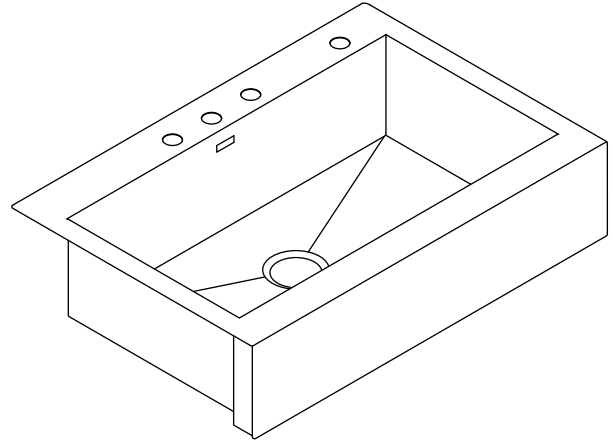


Features

- 18-gauge stainless steel
- Top-mount, apron front
- Large single bowl
- Includes installation hardware
- Includes SilentShield® sound-absorption technology
- Use for standard 36" cabinet
- 35-3/4" (908 mm) x 24-5/16" (618 mm) x 9-5/16" (237 mm)

TOP-MOUNT APRON FRONT KITCHEN SINK K-3942



Codes/Standards Applicable

Specified model meets or exceeds the following:

- ASME A112.19.3/CSA B45.4

Colors/Finishes

- NA: None applicable

Accessories

- CP: Polished Chrome
- ST: Stainless Steel
- Other: Refer to Price Book for additional colors/finishes

Specified Model

Model	Description	Colors/Finishes
K-3942-1	Top-mount apron front kitchen sink – single-hole	<input type="checkbox"/> NA
K-3942-3	Top-mount apron front kitchen sink – 3-hole	<input type="checkbox"/> NA
K-3942-4	Top-mount apron front kitchen sink – 4-hole (shown)	<input type="checkbox"/> NA

Optional Accessories				
K-6429	Sink bridge utility shelf with dish cloth bar		<input type="checkbox"/> ST	
K-6474	Bottom bowl rack		<input type="checkbox"/> ST	
K-8801	Duostrainer® sink strainer	<input type="checkbox"/> CP		<input type="checkbox"/> Other_____

Product Specification

The top-mount apron front sink shall be made of 18-gauge stainless steel. Sink shall have large single bowl. Sink shall include installation hardware. Sink shall include SilentShield sound-absorption technology. Sink shall be 35-3/4" (908 mm) in length and 24-5/16" (618 mm) in width. Sink shall be for use with standard 36" cabinet. Sink shall be Kohler Model K-3942-_____-NA.

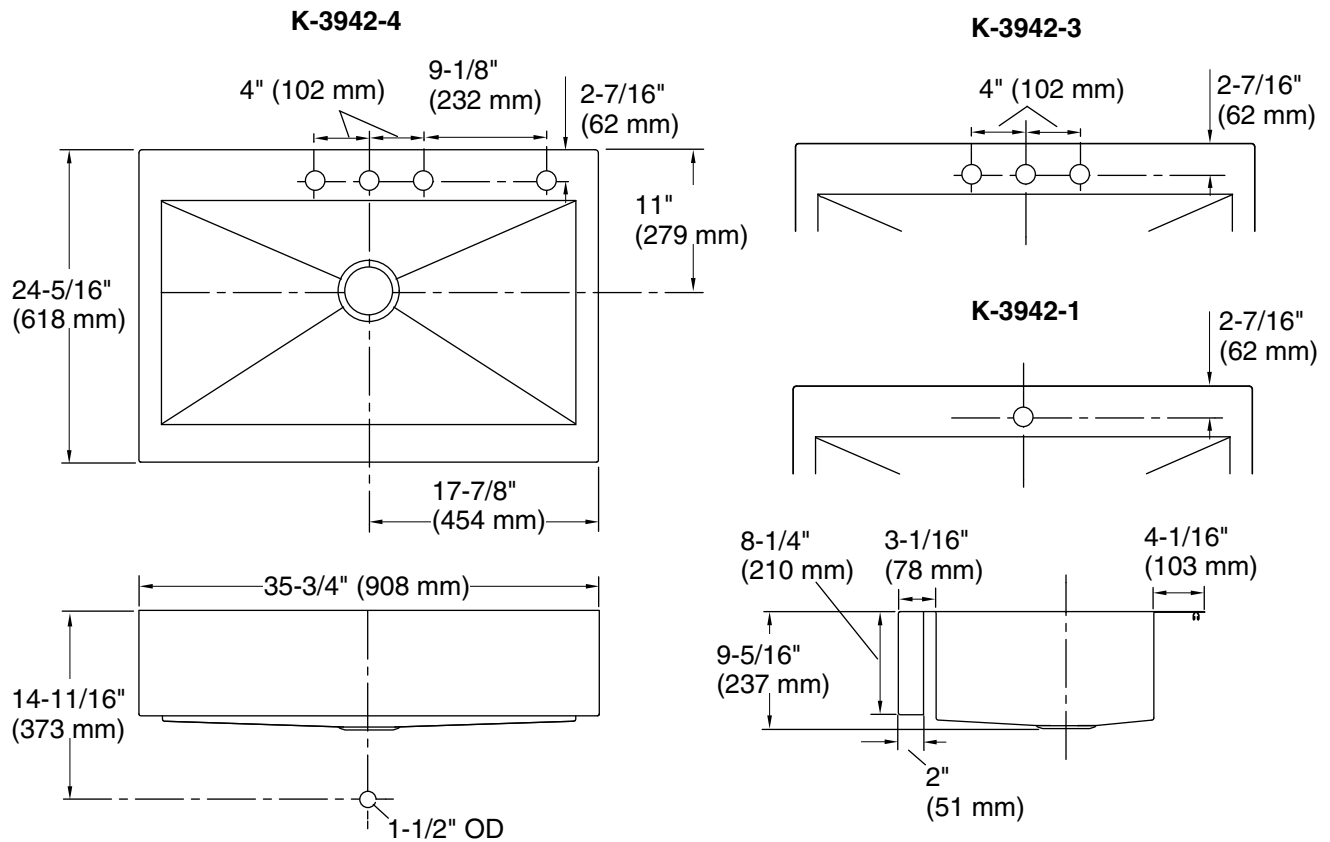
Technical Information

Fixture*:	
Bowl area	32-1/2" (826 mm) x 17-3/16" (437 mm)
Water depth	9" (229 mm)
Drain hole	Ø 3-5/8" (92 mm)
*Approximate measurements for comparison only.	

Included components:	
Back clip hardware kit	1130570
Pre-Installation Sink, Counter & Cabinet Compatibility template kit	1178341
Cut-out template	1166717-7
Side clip hardware kit	1173293

Installation Notes

Install this product according to the installation guide.



Product Diagram