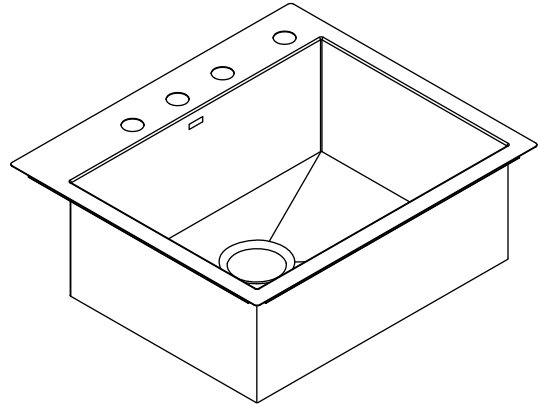


### Features

- 18-gauge stainless steel
- Top-mount or under-mount
- Small single bowl
- Includes bottom bowl rack
- Includes installation hardware
- Includes SilentShield® sound-absorption technology
- Use for standard 27" cabinet
- 25" (635 mm) x 22" (559 mm)

### TOP-MOUNT/UNDER-MOUNT KITCHEN SINK K-3822



### Codes/Standards Applicable

Specified model meets or exceeds the following:

- ASME A112.19.3/CSA B45.4

### Colors/Finishes

- NA: None applicable

### Accessories

- CP: Polished Chrome
- ST: Stainless Steel
- NA: None applicable
- Other: Refer to Price Book for additional colors/finishes

### Specified Model

| Model    | Description   | Colors/Finishes             |
|----------|---|-----------------------------|
| K-3822-1 | Top-mount/Under-mount kitchen sink – single-hole    | <input type="checkbox"/> NA |
| K-3822-3 | Top-mount/Under-mount kitchen sink – 3-hole         | <input type="checkbox"/> NA |
| K-3822-4 | Top-mount/Under-mount kitchen sink – 4-hole (shown) | <input type="checkbox"/> NA |

| Included Accessories |                  |                             |
|----------------------|------------------|-----------------------------|
| K-6645               | Bottom bowl rack | <input type="checkbox"/> ST |

| Optional Accessories |   |                             |                             |                             |                                     |
|----------------------|---|-----------------------------|-----------------------------|-----------------------------|-------------------------------------|
| K-6429               | Sink bridge utility shelf with dish cloth bar |                             |                             |                             |                                     |
| K-6667               | Wood cutting board (fits K-3822-1 only)       |                             |                             | <input type="checkbox"/> NA |                                     |
| K-8801               | Duostrainer® sink strainer (cont.)            | <input type="checkbox"/> CP | <input type="checkbox"/> ST |                             | <input type="checkbox"/> Other_____ |

### Product Specification

The top-mount or under-mount kitchen sink shall be made of 18-gauge stainless steel. Sink shall include bottom bowl rack and installation hardware. Sink shall have a small single bowl. Sink shall include SilentShield sound-absorption technology. Sink shall be 25" (635 mm) in length and 22" (559 mm) in width. Sink shall be for use with standard 27" cabinet. Sink shall be Kohler Model K-3822-\_\_\_\_-NA.

## (cont.) Optional Accessories

|         |  |  |  |                             |  |
|---------|--|--|--|-----------------------------|--|
| 1131881 | Hardware kit for countertops with a 2-1/2" (64 mm) thickness or less |  |  | <input type="checkbox"/> NA |  |
|---------|--|--|--|-----------------------------|--|

## Technical Information

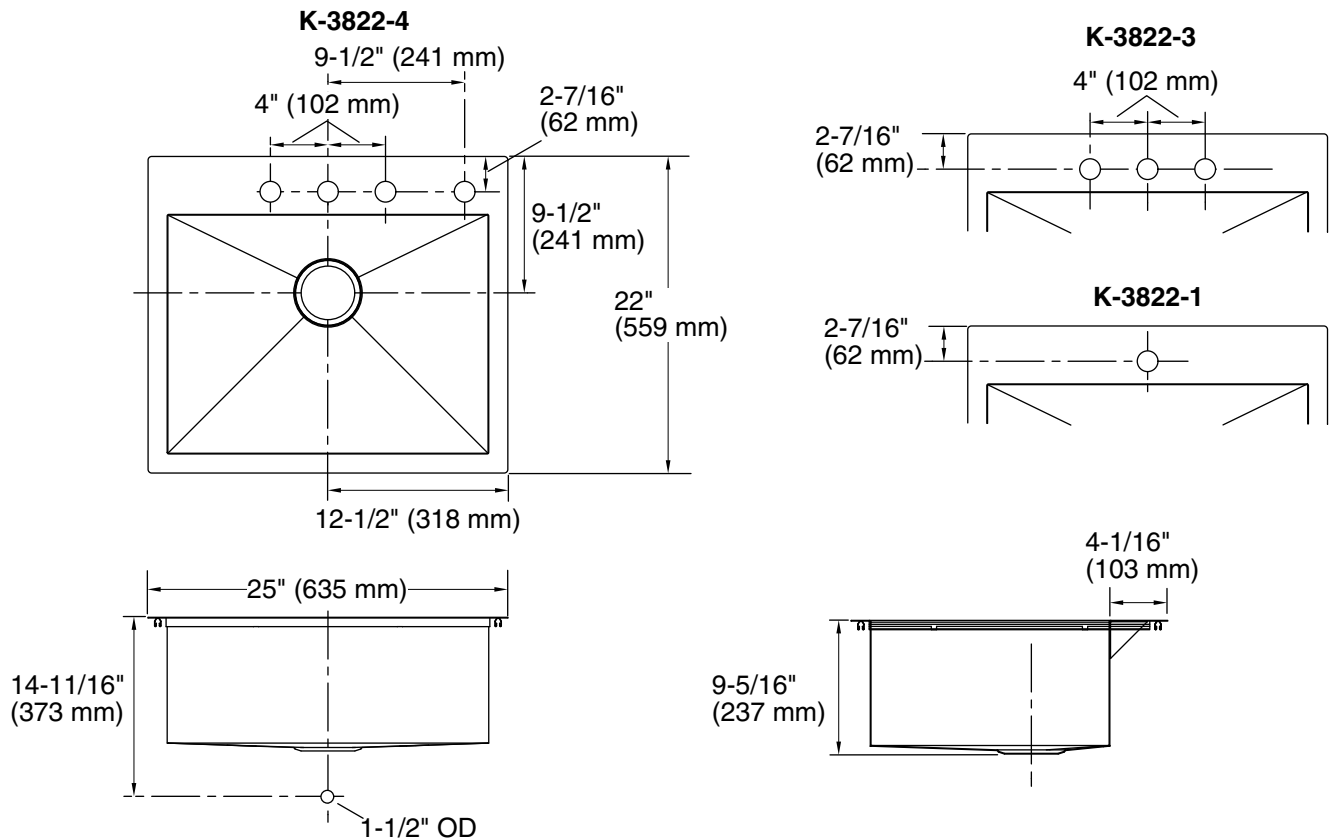
|   |                                      |
|---|--------------------------------------|
| Fixture*:                                       |                                      |
| Bowl area                                       | 22-1/4" (565 mm) x 16-9/16" (421 mm) |
| Water depth                                     | 9" (229 mm)                          |
| Drain hole                                      | Ø 3-5/8" (92 mm)                     |
| * Approximate measurements for comparison only. |                                      |

|                          |           |
|--------------------------|-----------|
| Included components:     |           |
| Hardware kit – top-mount | 1130570   |
| Cut-out template         | 1130822-7 |

## Installation Notes

Install this product according to the installation guide.

Allow 3/4" (19 mm) clearance beyond the back of the bowl for the wood cutting board (optional accessory).



## Product Diagram