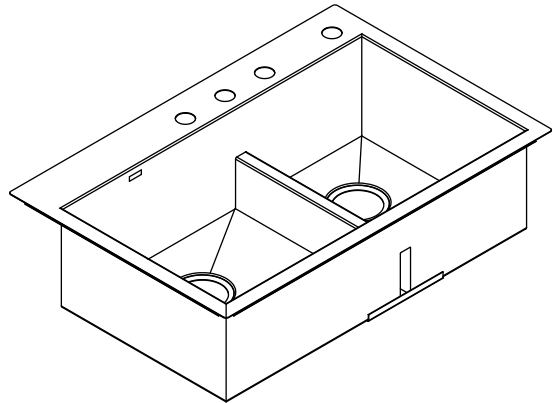


Features

- 18-gauge stainless steel
- Top-mount or under-mount
- Offset bowls
- Smart Divide® lowered divider
- Includes left (large) bottom bowl rack
- Includes installation hardware
- Use for standard 36" cabinet
- 33" (838 mm) x 22" (559 mm)

TOP-MOUNT/UNDER-MOUNT KITCHEN SINK K-3839



Codes/Standards Applicable

Specified model meets or exceeds the following:

- ASME A112.19.3/CSA B45.4

Colors/Finishes

- NA: None applicable

Accessories

- CP: Polished Chrome
- ST: Stainless Steel
- NA: None applicable
- Other: Refer to Price Book for additional colors/finishes

Specified Model

Model	Description	Colors/Finishes
K-3839-1	Top-mount/Under-mount kitchen sink – single-hole	<input type="checkbox"/> NA
K-3839-3	Top-mount/Under-mount kitchen sink – 3-hole	<input type="checkbox"/> NA
K-3839-4	Top-mount/Under-mount kitchen sink – 4-hole (shown)	<input type="checkbox"/> NA

Included Accessories		
K-6646	Bottom bowl rack (fits large sink bowl)	<input type="checkbox"/> ST

Optional Accessories					
K-6429	Sink bridge utility shelf with dish cloth bar		<input type="checkbox"/> ST		
K-6432	Divider disk cloth bar		<input type="checkbox"/> ST		
K-6434	Divider utility shelf		<input type="checkbox"/> ST		
K-6647	Bottom bowl rack (for small bowl) (cont.)		<input type="checkbox"/> ST		

Product Specification

The top-mount or under-mount sink shall be made of 18-gauge stainless steel. Sink shall feature offset bowls and Smart Divide lowered divider. Sink shall include left (large) bottom bowl rack and installation hardware. Sink shall include SilentShield sound-absorption technology. Sink shall be 33" (838 mm) in length and 22" (559 mm) in width. Sink shall be for use with standard 36" cabinet. Sink shall be Kohler Model K-3839-____-NA.

(cont.) Optional Accessories					
K-6667	Wood cutting board			<input type="checkbox"/> NA	
K-8801	Duostrainer [®] sink strainer	<input type="checkbox"/> CP			<input type="checkbox"/> Other_____
1131881	Hardware kit for countertops with a 2-1/2" (64 mm) thickness or less			<input type="checkbox"/> NA	

Technical Information

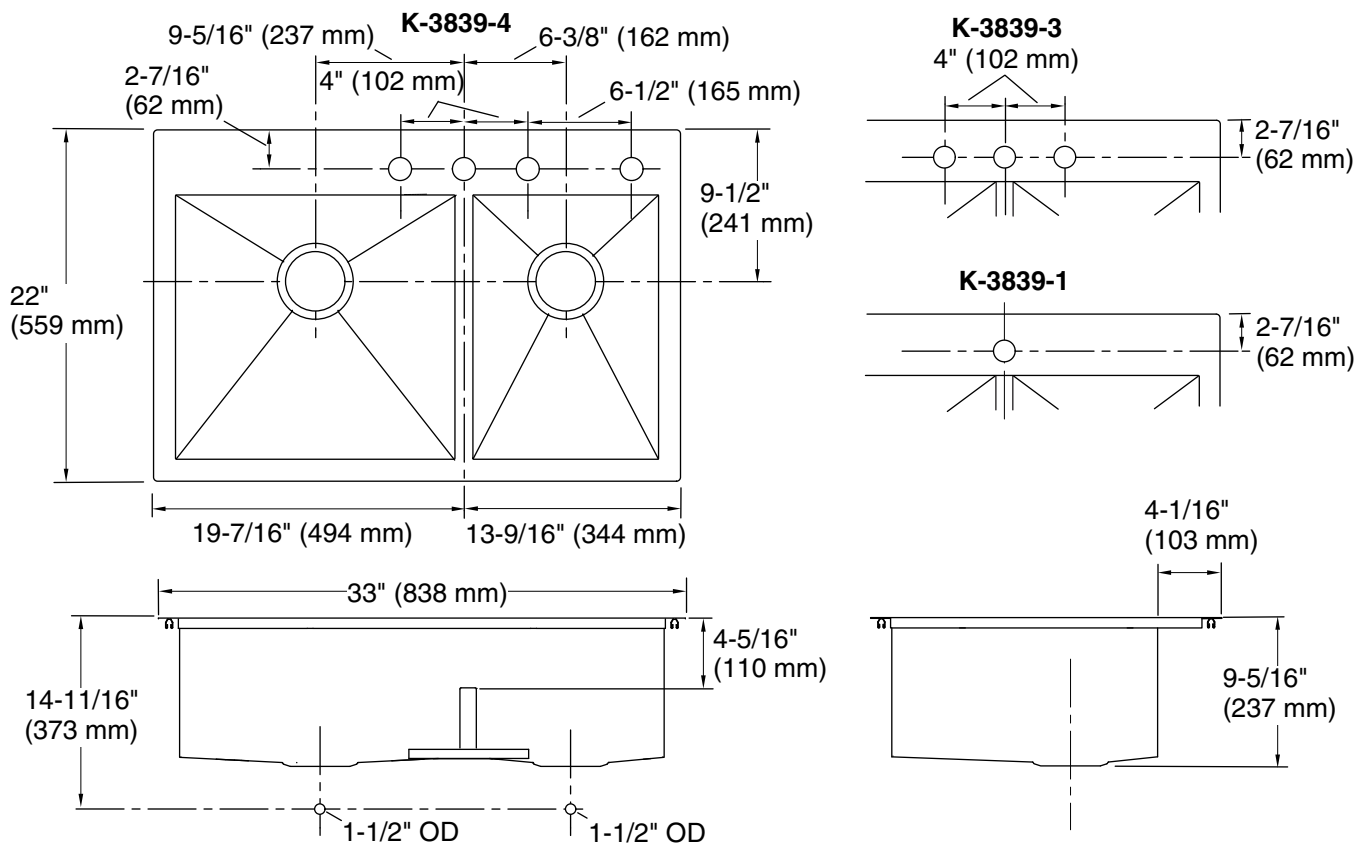
Fixture*:	
Bowl area	17-1/2" (445 mm) x 16-9/16" (421 mm) 11-5/8" (295 mm) x 16-9/16" (421 mm)
Water depth	9" (229 mm)
Drain hole	Ø 3-5/8" (92 mm)
* Approximate measurements for comparison only.	

Included components:	
Hardware kit – top-mount	1130570
Cut-out template	1130823-7

Installation Notes

Install this product according to the installation guide.

Allow 3/4" (19 mm) clearance beyond the back of the bowl for the wood cutting board (optional accessory).



Product Diagram