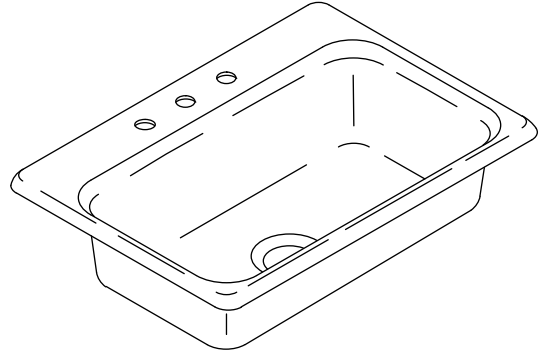


Features

- KOHLER cast iron
- Acid-resistant enamel finish
- Single bowl
- Top-mount
- 3-hole (-3) or 4-hole (-4)
- 31" (787 mm) x 22" (559 mm)

TOP-MOUNT KITCHEN SINK K-5832



Codes/Standards Applicable

Specified model meets or exceeds the following:

- ASME A112.19.1/CSA B45.2

Colors/Finishes

- 0: White
- Other: Refer to Price Book for additional colors/finishes

Accessories

- 0: White
- CP: Polished Chrome
- Other: Refer to Price Book for additional colors/finishes

Specified Model

Model	Description	Colors/Finishes	
K-5832-3	Top-mount kitchen sink – 3-hole (shown)	<input type="checkbox"/> 0	<input type="checkbox"/> Other_____
K-5832-4	Top-mount kitchen sink – 4-hole	<input type="checkbox"/> 0	<input type="checkbox"/> Other_____

Recommended Accessories

K-9000	P-Trap	<input type="checkbox"/> CP	
--------	--------	-----------------------------	--

Optional Accessories

K-5836	Polyethylene cutting board	<input type="checkbox"/> 0	
K-6517	Bottom bowl rack	<input type="checkbox"/> 0	<input type="checkbox"/> Other_____
K-8801	Duostrainer® sink strainer	<input type="checkbox"/> CP	<input type="checkbox"/> Other_____

Product Specification

The kitchen sink shall be made of cast iron with acid-resistant enamel finish. Sink shall be top-mount. Sink shall be single bowl. Sink shall be 3-hole (-3) or 4-hole (-4). Sink shall be 31" (787 mm) in length and 22" (559 mm) in width. Sink shall be Kohler Model K-5832-_____-_____.

BAKERSFIELD™

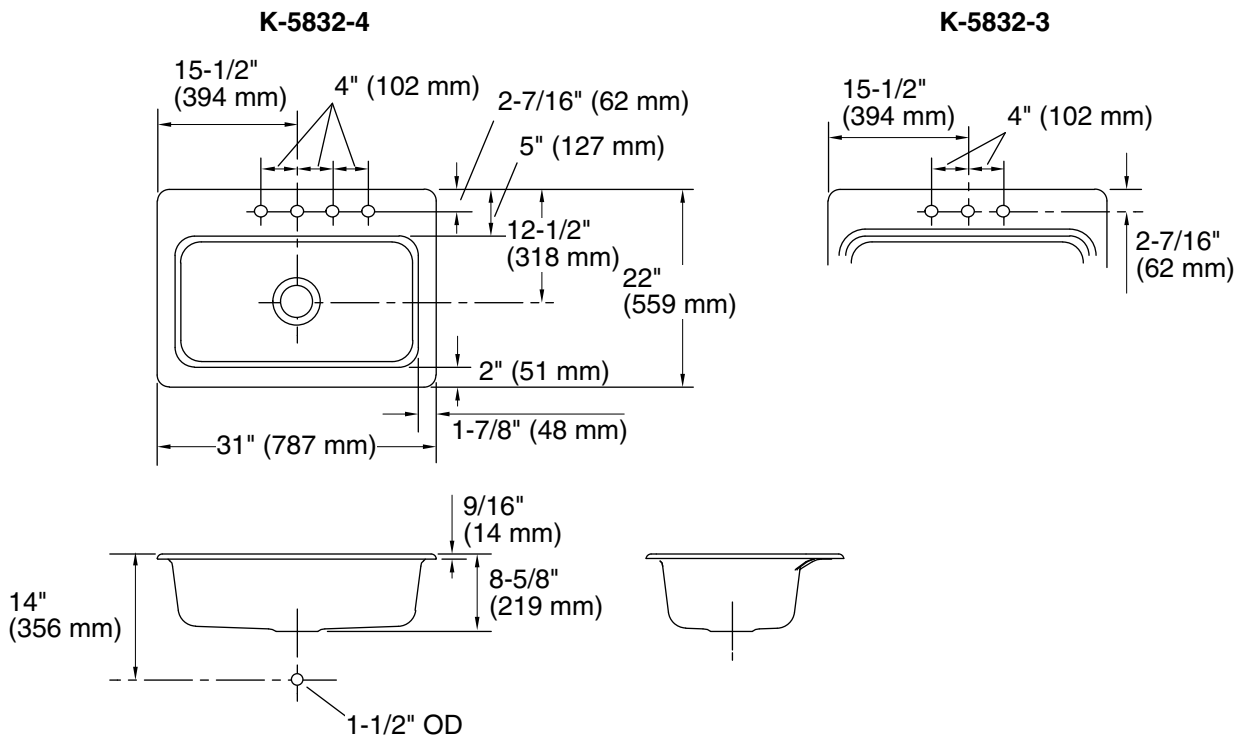
Technical Information

Fixture*:	
Bowl area	27" (686 mm) x 15" (381 mm)
Water depth	8" (203 mm)
Drain hole	Ø 3-5/8" (92 mm)
Faucet holes	Ø 1-3/8" (35 mm)
* Approximate measurements for comparison only.	

Installation Notes

Install this product according to the installation guide.

Cut-out is 29-3/4" (756 mm) by 20-3/4" (527 mm) with 1" (25 mm) radius corners.



Product Diagram