

Features

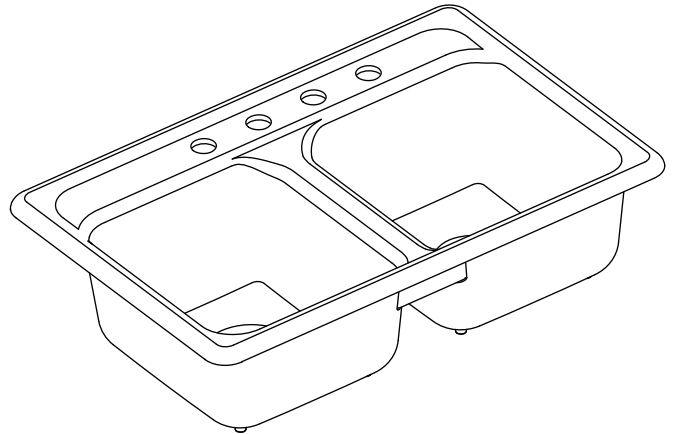
- KOHLER cast iron
- Acid-resistant enamel finish
- Top-mount
- Double (equal) compartment
- Available with three holes [-3] or four holes [-4]
- 33" (838 mm) x 22" (559 mm)

Codes/Standards Applicable

Specified model meets or exceeds the following:

- ASME A112.19.1/CSA B45.2

TOP-MOUNT KITCHEN SINK K-5817



Colors/Finishes

- 0: White
- Other: Refer to Price Book for additional colors/finishes

Accessories

- CP: Polished Chrome
- Other: Refer to Price Book for additional colors/finishes

Specified Model

Model	Description	Colors/Finishes	
K-5817-3	Top-mount kitchen sink – 3-hole	<input type="checkbox"/> 0 White	<input type="checkbox"/> Other_____
K-5817-4	Top-mount kitchen sink – 4-hole (shown)	<input type="checkbox"/> 0 White	<input type="checkbox"/> Other_____
Recommended Accessories			
K-9000	P-trap		<input type="checkbox"/> CP
Optional Accessories			
K-8801	Duostrainer® sink strainer	<input type="checkbox"/> CP	<input type="checkbox"/> Other_____

Product Specification

The top-mount kitchen sink shall be made of cast iron with acid-resistant enamel finish. Sink shall be 33" (838 mm) in length and 22" (559 mm) in width. Sink shall be double equal compartment. Sink shall be available with three holes [-3] or four holes [-4]. Sink shall be Kohler Model K-5817-_____-_____.

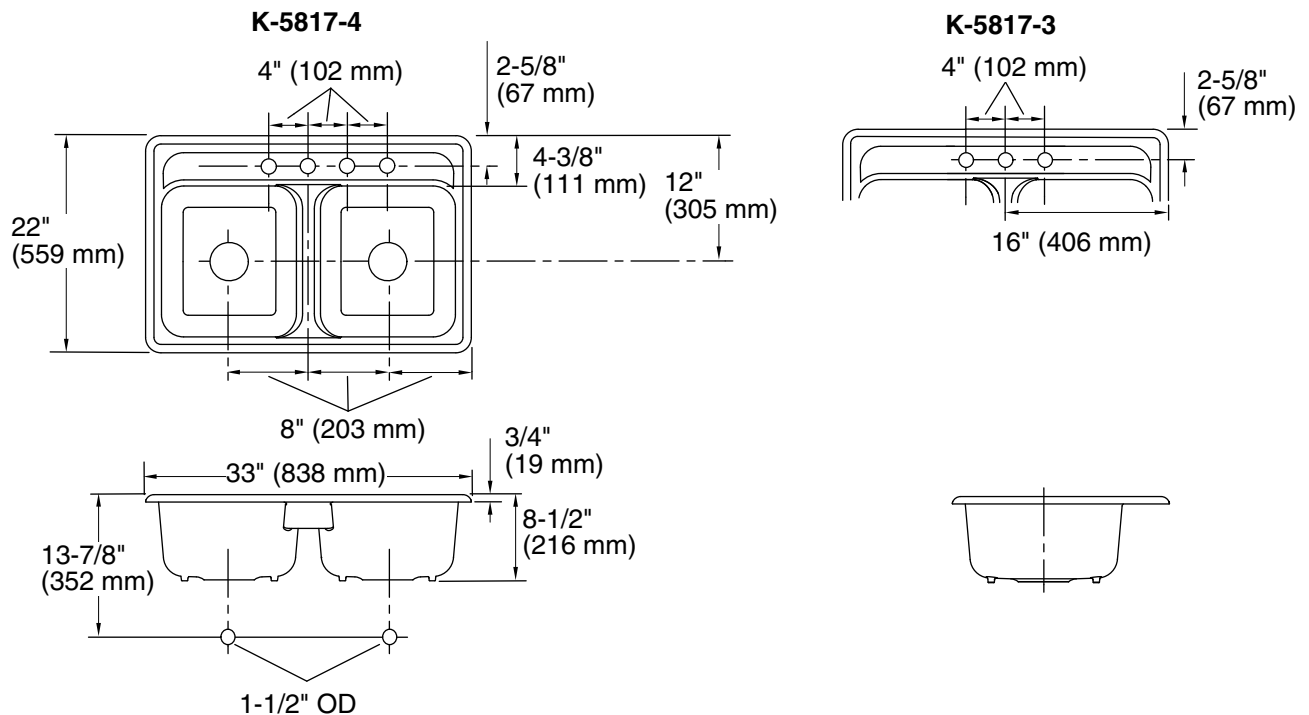
DELAFIELD®

Technical Information

Fixture*:	
Bowl area	15" (381 mm) x 14" (356 mm)
Water depth	8" (203 mm)
Drain hole	Ø 3-5/8" (92 mm)
Faucet holes	Ø 1-3/8" (35 mm)
* Approximate measurements for comparison only.	

Installation Notes

Install this product according to the installation guide.



Product Diagram