

Features

- 19-gauge stainless steel
- Top-mount
- Double (equal) compartment
- Includes installation hardware
- Includes SilentShield® sound-absorption technology
- 33" (838 mm) x 22" (559 mm)

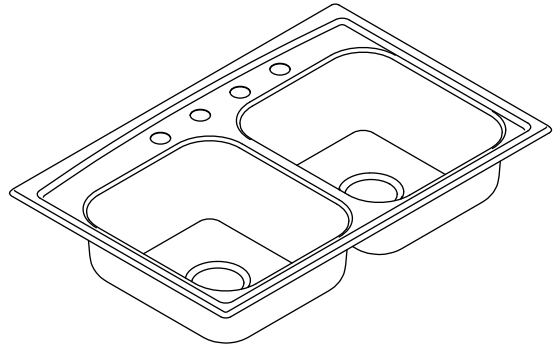
TOP-MOUNT KITCHEN SINK K-4015

ADA

Codes/Standards Applicable

Specified model meets or exceeds the following:

- ADA
- ICC/ANSI A117.1
- ASME A112.19.3/CSA B45.4



Colors/Finishes

- NA: None applicable

Accessories

- CP: Polished Chrome
- NA: None applicable
- Other: Refer to Price Book for additional colors/finishes

Specified Model

Model	Description	Colors/Finishes		
K-4015-4	Top-mount kitchen sink	<input type="checkbox"/> NA		
Optional Accessories				
K-3294	Hardwood cutting board	<input type="checkbox"/> NA		
K-6401	Bottom bowl rack	<input type="checkbox"/> NA		
K-8801	Duostrainer® sink strainer		<input type="checkbox"/> CP	<input type="checkbox"/> Other_____
1177161	Hardware kit for counter top with 2-1/2" (64 mm) thickness or less	<input type="checkbox"/> NA		

Product Specification

The top-mount sink shall be 33" (838 mm) in length and 22" (559 mm) in width. Sink shall be made of 19-gauge stainless steel. Sink shall be double (equal) compartment. Sink shall include installation hardware. Sink shall include SilentShield sound-absorption technology. Sink shall be Kohler Model K-4015-____-NA.

TOCCATA™

Technical Information

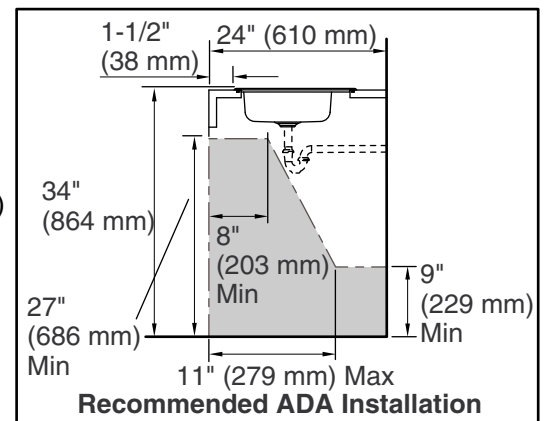
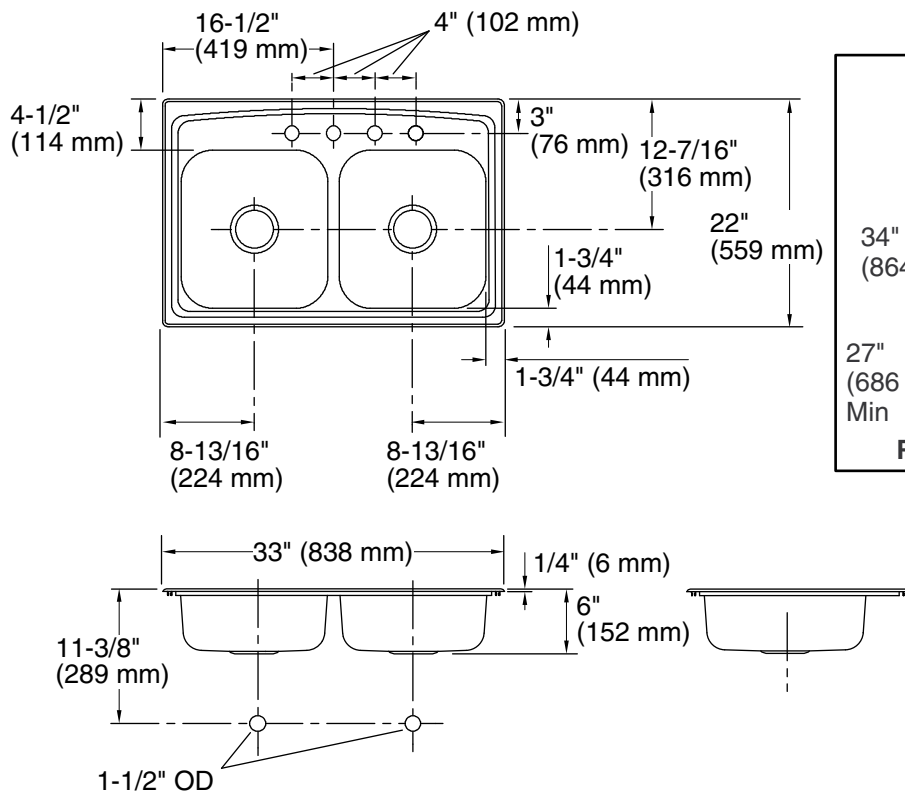
Fixture*:	
Left and right compartment	
Bowl area	14-3/16" (360 mm) x 15-3/4" (400 mm)
Water depth	6" (152 mm)
Drain hole	Ø 3-5/8" (92 mm)
Faucet holes	Ø 1-7/16" (37 mm)
* Approximate measurements for comparison only.	

Included components:	
Installation hardware	1177160

Installation Notes

Install this product according to the installation guide.

Cutout is 32-1/2" (826 mm) x 21-1/2" (546 mm) with 1/2" (13 mm) radius corners.



Product Diagram