

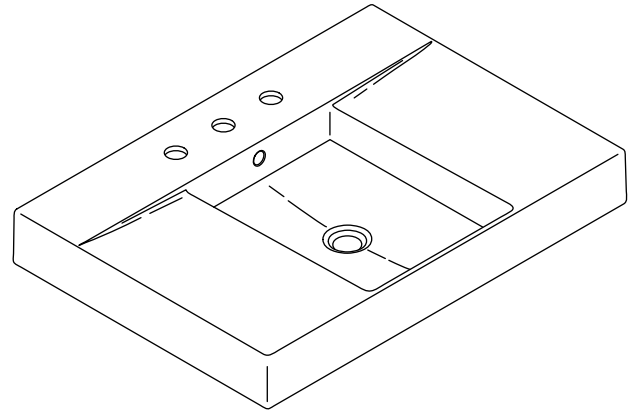
Features

- Fireclay
- Countertop installation
- With overflow
- 8" (203 mm) centers (-8), 4" (102 mm) centers (-4), single-hole (-1), or no holes
- Also installs to K-2517 vanity
- 30-1/2" (775 mm) x 21-1/2" (546 mm)

Codes/Standards Applicable

Specified model meets or exceeds the following:

- ASME A112.19.2/CSA B45.1



Colors/Finishes

- 0: White
- Other: Refer to Price Book for additional colors/finishes

Accessories

- CP: Polished Chrome
- Other: Refer to Price Book for additional colors/finishes

Specified Model

Model	Description	Colors/Finishes	
K-2955	Bathroom sink without faucet holes (for use with wall-mount faucet)	<input type="checkbox"/> 0	<input type="checkbox"/> Other_____
K-2955-1	Bathroom sink with single faucet hole	<input type="checkbox"/> 0	<input type="checkbox"/> Other_____
K-2955-4	Bathroom sink with 4" (102 mm) centers	<input type="checkbox"/> 0	<input type="checkbox"/> Other_____
K-2955-8	Bathroom sink with 8" (203 mm) centers	<input type="checkbox"/> 0	<input type="checkbox"/> Other_____

Recommended Accessories

K-8998	P-Trap	<input type="checkbox"/> CP	<input type="checkbox"/> Other_____
--------	--------	-----------------------------	-------------------------------------

Product Specification

The countertop bathroom sink shall be 30-1/2" (775 mm) in length, and 21-1/2" (546 mm) in width. Bathroom sink shall be made of Fireclay. Bathroom sink shall have single-hole (K-2955-1), 4" (102 mm) centers (K-2955-4), 8" (203 mm) centers (K-2955-8) or no holes (K-2955). Bathroom sink also installs to K-2517 vanity. Bathroom sink shall be Kohler Model K-2955-_____-_____.

TRAVERSE®

Technical Information

Fixture*:	
Basin area	12" (305 mm) x 15-1/4" (387 mm)
Water depth	3" (76 mm)
Drain hole	Ø 1-3/4" (44 mm)
* Approximate measurements for comparison only.	

Holes	K-2955	K-2955-1	K-2955-4	K-2955-8
Spout	N/A	Ø 1-3/8" (35 mm)	Ø 1-1/4" (32 mm)	Ø 1-3/8" (35 mm)
Faucet	N/A		Ø 1-1/4" (32 mm)	Ø 1-3/8" (35 mm)

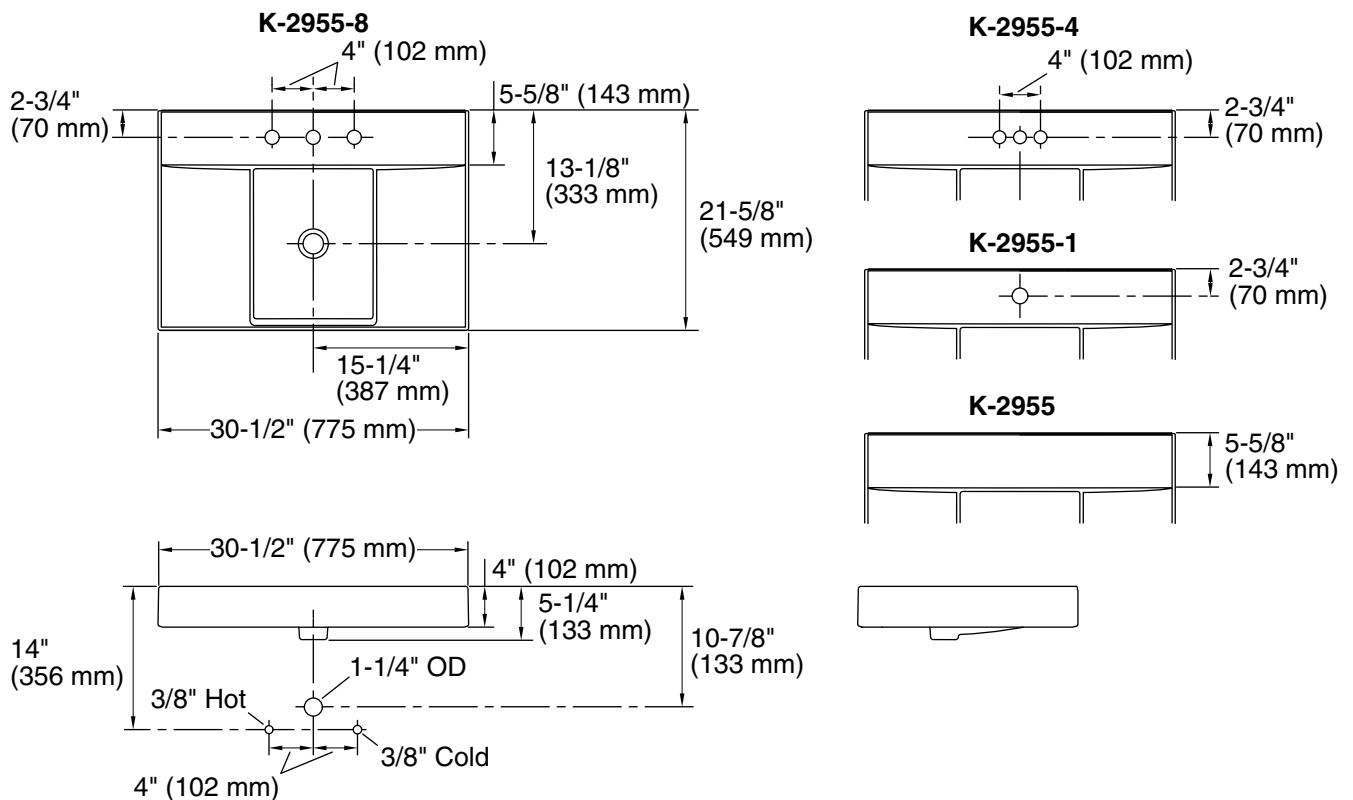
Included components:	
Cut-out template	1003676-7

Installation Notes

Install this product according to the installation guide.

NOTICE: Countertop manufacturer or cutter **must** use the cut-out template provided with the product, or a current one provided by Kohler Co. (call 1-800-4KOHLE). Kohler Co. is not responsible for cutout errors when incorrect cut-out template is used.

NOTE: This bathroom sink is also designed for installation to the K-2517 vanity.



Product Diagram