

Features

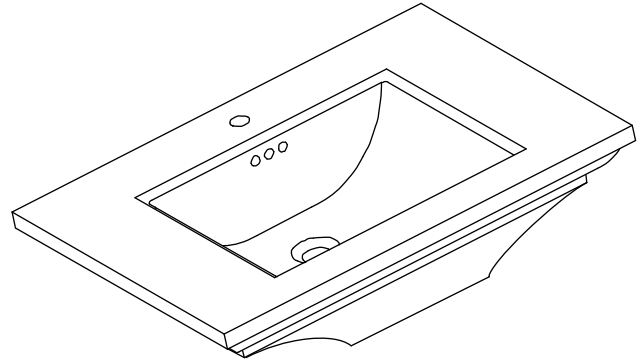
- Fireclay
- Above-the-counter
- Stately design
- 8" (203 mm) centers (-8) or single-hole (-1)
- With overflow
- 30" (762 mm) x 21-3/4" (552 mm)

Codes/Standards Applicable

Specified model meets or exceeds the following:

- ASME A112.19.2/CSA B45.1

ABOVE-COUNTER BATHROOM SINK K-2269



Colors/Finishes

- 0: White
- Other: Refer to Price Book for additional colors/finishes

Accessories

- CP: Polished Chrome

Specified Model

Model	Description	Colors/Finishes	
K-2269-1	With single-hole drilling	<input type="checkbox"/> 0	<input type="checkbox"/> Other _____
K-2269-8	With 8" (203 mm) centers	<input type="checkbox"/> 0	<input type="checkbox"/> Other _____
Recommended Accessories			
K-8998	P-Trap		<input type="checkbox"/> CP

Product Specification

The above-counter bathroom sink shall be 30" (762 mm) in length and 21-3/4" (552 mm) in width. Bathroom sink shall be made of fireclay. Bathroom sink shall feature the Stately design. Bathroom sink shall include overflow. Bathroom sink shall have 8" (203 mm) centers (-8) or single-hole drilling (-1). Bathroom sink shall be Kohler Model K-2269-_____-_____.

MEMOIRS®

Technical Information

Mexico products have an M after the first sequence of numbers (such as K-12345 M)			
Fixture*:		Basin area	Water depth
Bathroom sink		18" (457 mm) x 14" (356 mm)	5" (127 mm)
Outlet	Ø 1-3/4" (44 mm)		
* Approximate measurements for comparison only.			

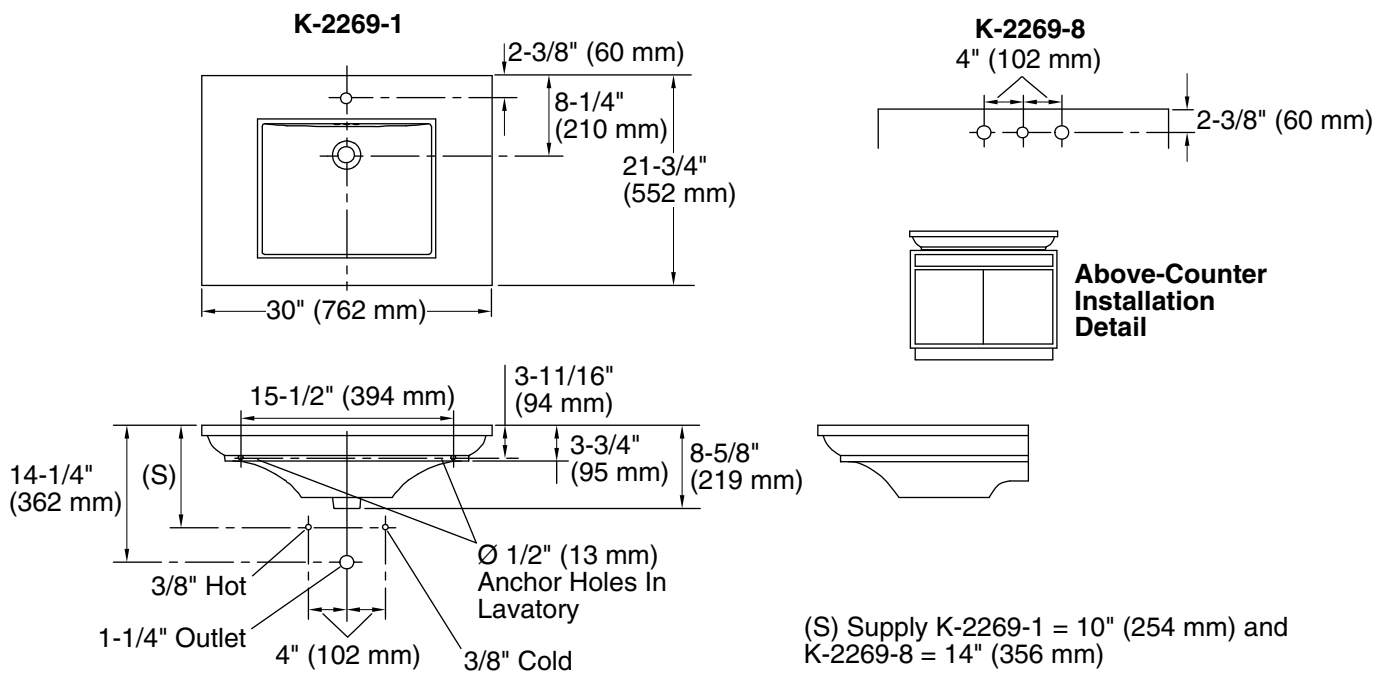
Holes	K-2269-1	K-2269-8
Spout	Ø 1-3/8" (35 mm)	Ø 1-3/8" (35 mm)
Faucet		Ø 1-3/8" (35 mm)

Included Components:	
Bathroom sink accessory pack	52204
Cutout template	1003228-7

Installation Notes

Install this product according to the installation guide.

NOTICE: Countertop manufacturer or cutter **must** use the cutout template provided with the product, or a current one provided by Kohler Co. (call 1-800-4KOHLE). Kohler Co. is not responsible for cutout errors when the incorrect cutout template is used.



Product Diagram