

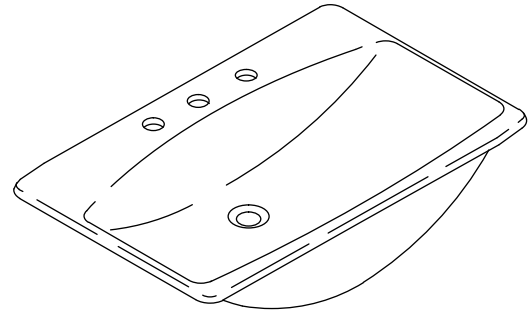
Features

- KOHLER cast iron
- Drop-in installation
- With overflow
- 28" (711 mm) x 19" (483 mm)

Codes/Standards Applicable

Specified model meets or exceeds the following:

- ASME A112.19.1/CSA B45.2
- ADA
- ICC/ANSI A117.1



Colors/Finishes

- 0: White
- Other: Refer to Price Book for additional colors/finishes

Accessories

- CP: Polished Chrome

Specified Model

Model	Description	Colors/Finishes	
K-2885-1	Bathroom sink - with single faucet hole	<input type="checkbox"/> 0	<input type="checkbox"/> Other _____
K-2885-8	Bathroom sink - with 8" (203 mm) centers (shown)	<input type="checkbox"/> 0	<input type="checkbox"/> Other _____
Recommended Accessories			
K-8998	P-Trap		<input type="checkbox"/> CP

Product Specification

The bathroom sink shall be made of KOHLER cast iron. Sink shall be 28" (711 mm) in length, and 19" (483 mm) in width. Sink shall be for drop-in installation and features overflow. Bathroom sink shall be Kohler Model K-2885-_____-_____.

MAN'S LAV™

Technical Information

Fixture*:	
Basin area	24" (610 mm) x 13" (330 mm)
Water depth	4-1/4" (108 mm)
Drain hole	Ø 1-11/16" (43 mm)
* Approximate measurements for comparison only.	

Holes	K-2885-1	K-2885-8
Spout	Ø 1-3/8" (35 mm)	Ø 1-3/8" (35 mm)
Faucet	NA	Ø 1-3/8" (35 mm)

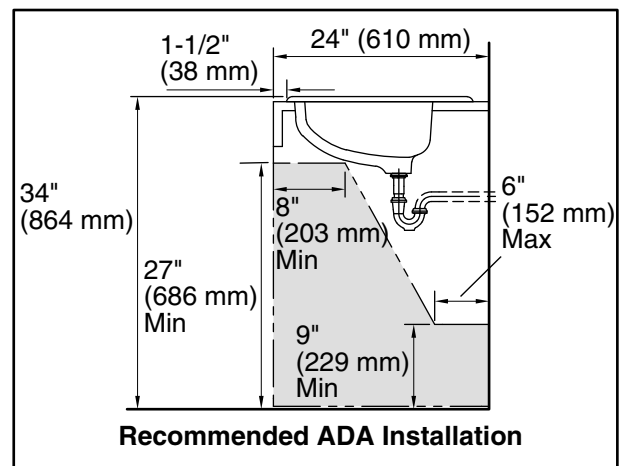
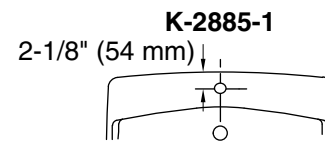
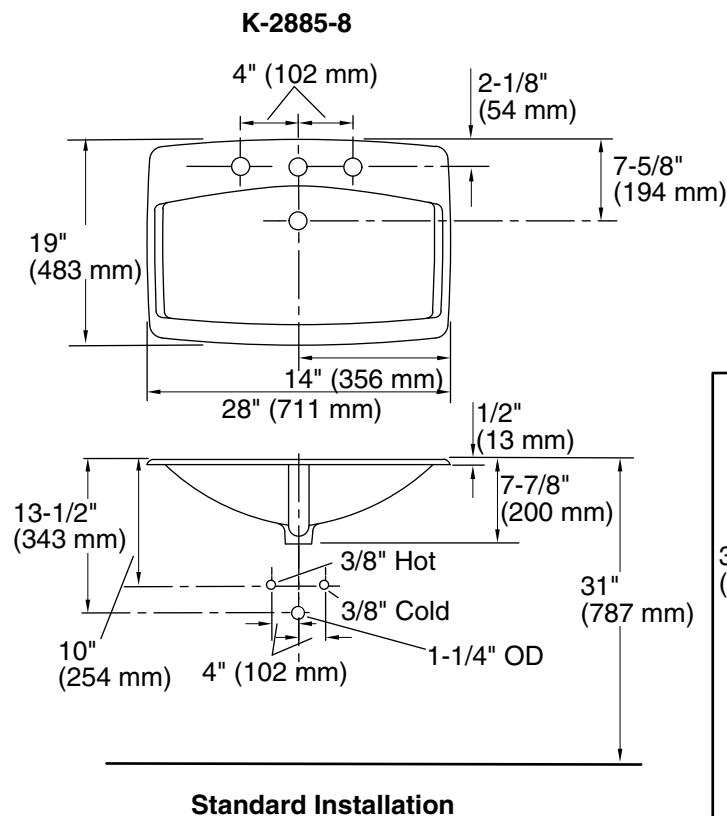
Included components:

Overflow ferrule	44071
Cutout template	101090

Installation Notes

Install this product according to the installation guide.

Will comply with the Americans with Disabilities Act (ADA) when installed per the requirements of the 2010 ADA Standards for Accessible Design, Section 606 Lavatories and Sinks, of the Act.



Product Diagram