

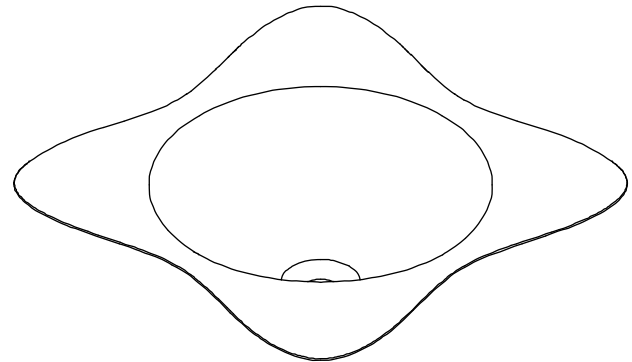
Features

- KOHLER cast iron
- Without overflow
- ADA compliant (self-rimming only)
- Above-the-counter or self-rimming
- Dolce Vita™ (K-2815) or Vessels™ Dolce Vita™ (K-2815-P5)
- Optional wall-mount bracket (K-9655)
- 17-1/2" (445 mm) x 17-1/2" (445 mm)

Codes/Standards Applicable

Specified model meets or exceeds the following:

- ICC/ANSI A117.1
- ASME A112.19.1/CSA B45.2
- ADA



Colors/Finishes

- 0: White
- Other: Refer to Price Book for additional colors/finishes

Accessories:

- CP: Polished Chrome
- NA: None applicable
- Other: Refer to Price Book for additional colors/finishes

Specified Model

Model	Description	Colors/Finishes	
K-2815	Dolce Vita™	<input type="checkbox"/> 0 White	<input type="checkbox"/> Other _____
K-2815-P5	Vessels™ Dolce Vita™	<input type="checkbox"/> 0 White	<input type="checkbox"/> Other _____

Recommended Accessories

K-9018	P-trap	<input type="checkbox"/> CP	<input type="checkbox"/> Other
K-7114	Pop-up drain with undercounter-mount actuator	<input type="checkbox"/> CP	<input type="checkbox"/> Other

Optional Accessories

K-9655	Vessels™ wall-mount bracket for use with K-2815-P5	<input type="checkbox"/> NA
--------	----------------------------------------------------	-----------------------------

Product Specification

The bathroom sink shall be 17-1/2" (445 mm) x 17-1/2" (445 mm) in width. Bathroom sink shall be made of cast iron. Bathroom sink shall be either Dolce Vita™ (K-2815) or Vessels™ Dolce Vita™ (K-2815-P5). Bathroom sink shall be with or without overflow. Bathroom sink shall be both above-the-counter or drop-in. Bathroom sink shall have an optional wall-mount bracket (K-9655). Bathroom sink shall be ADA compliant, drop-in only. Bathroom sink shall be Kohler Model K-2815-_____-_____.

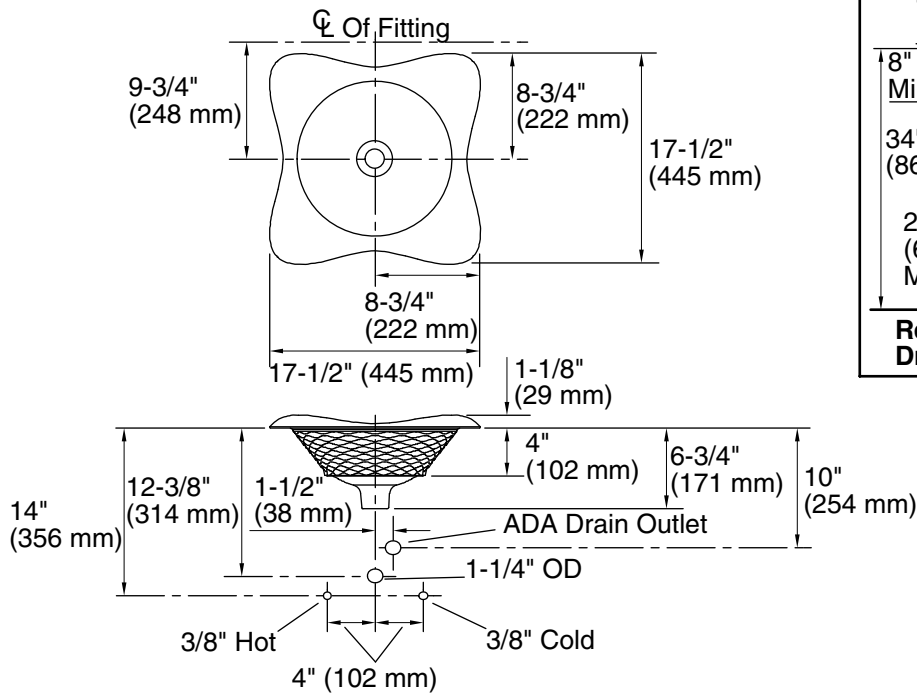
DOLCE VITA™

Technical Information

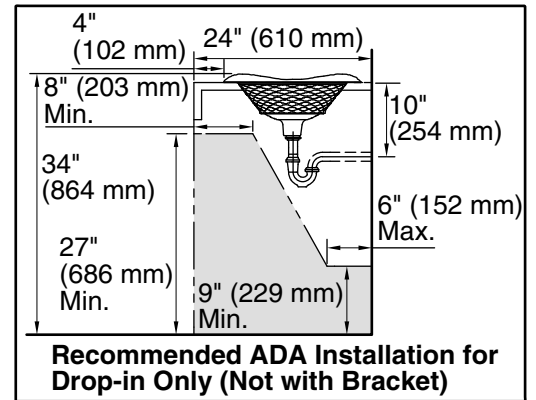
ADA compliant, drop-in only:		
Fixture:*	Basin area	Water depth
Bathroom sink	Ø 13" (330 mm)	Ø 4-3/4" (121 mm)
Drain hole	Ø 1-3/4" (44 mm)	
* Approximate measurements for comparison only.		
Included Components:		
Cut-out template	87996-7	

Installation Notes

Install this product according to the installation guide.
Product does not have an overflow.



Standard Installation



Recommended ADA Installation for Drop-in Only (Not with Bracket)

Product Diagram