

### Features

- Vitreous china
- Drop-in
- With overflow
- Available with KOHLER Artist Editions designs
- 22-5/8" (575 mm) x 18-7/8" (479 mm)

### COUNTERTOP BATHROOM SINK K-2189

ADA

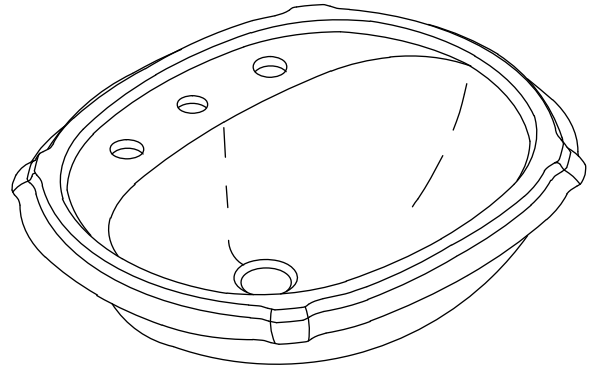
CSA B651

OBC

### Codes/Standards Applicable

Specified model meets or exceeds the following:

- ADA
- ICC/ANSI A117.1
- CSA B651
- OBC
- ASME A112.19.2/CSA B45.1



### Colors/Finishes

- 0: White
- Other: Refer to Price Book for additional colors/finishes

### Accessories

- CP: Polished Chrome

### Specified Model

Model	Description	Colors/Finishes	
K-2189-8	8" (203 mm) centers bathroom sink	<input type="checkbox"/> 0	<input type="checkbox"/> Other _____
K-2189-4	4" (102 mm) centers bathroom sink	<input type="checkbox"/> 0	<input type="checkbox"/> Other _____
K-2189-1	Single-hole bathroom sink	<input type="checkbox"/> 0	<input type="checkbox"/> Other _____
Recommended Accessories			
K-8998	P-Trap		<input type="checkbox"/> CP

### Product Specification

The drop-in bathroom sink shall be made of vitreous china. Bathroom sink shall be 22-5/8" (575 mm) in length and 18-7/8" (479 mm) in width. Bathroom sink shall include overflow. Bathroom sink shall be available with KOHLER Artist Editions designs. Bathroom sink shall be Kohler Model K-2189-\_\_\_\_\_-\_\_\_\_\_.

# PORTRAIT®

## Technical Information

Fixture*:	
Basin area	20" (508 mm) x 12" (305 mm)
Water depth	5" (127 mm)
Drain hole	Ø 1-3/4" (44 mm)
* Approximate measurements for comparison only.	

Holes	K-2189-1	K-2189-4	K-2189-8
Spout	Ø 1-3/8" (35 mm)	Ø 1-1/4" (32 mm)	Ø 1-3/8" (35 mm)
Faucet		Ø 1-1/4" (32 mm)	Ø 1-3/8" (35 mm)

Included components:	
Cut-out template	1004223-7

## Installation Notes

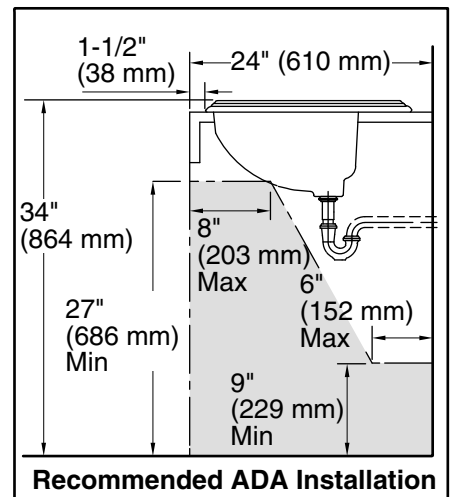
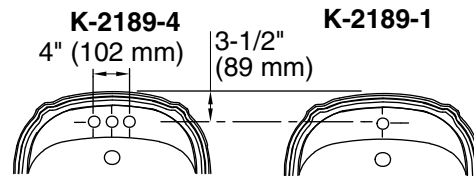
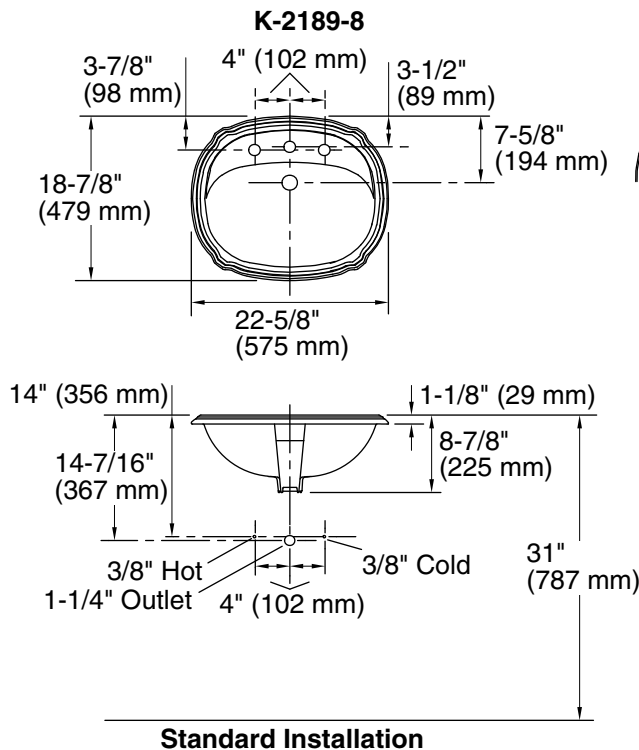
Install this product according to the installation guide.

**NOTICE:** Countertop manufacturer or cutter **must** use the cut-out template provided with the product, or a current one provided by Kohler Co. (call 1-800-4-KOHLER). Kohler Co. is not responsible for cutout errors when the incorrect cut-out template is used.

Will comply with **ADA** when installer per Section 606 Lavatories of the Act.

Will comply with **CSA B651** when installed per Clause 4.3.3 of the standard.

Will comply with **OBC** when installed per Clause 3.8.3.11.



## Product Diagram