

BATHROOM SINK K-11160

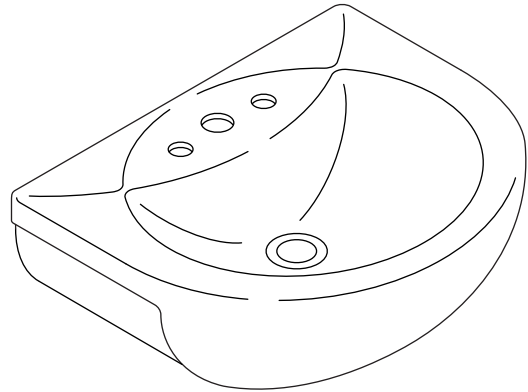
Features

- Vitreous china
- Semi-recessed installation
- With overflow
- 4" (102 mm) centers (-4) or single-hole (-1)
- 22" (559 mm) x 17-7/8" (454 mm) with 7-1/4" (184 mm) overhang

Codes/Standards Applicable

Specified model meets or exceeds the following:

- ASME A112.19.2/CSA B45.1



Colors/Finishes

- 0: White

Accessories:

- CP: Polished Chrome

Specified Model

Model	Description	Colors/Finishes
K-11160-1	Bathroom sink, single-hole	<input type="checkbox"/> 0
K-11160-4	Bathroom sink, 4" (102 mm) centers	<input type="checkbox"/> 0
Recommended Accessories		
K-8998	P-Trap	<input type="checkbox"/> CP

Product Specification

The bathroom sink shall be 22" (559 mm) in length, 17-7/8" (454 mm) in width, with a 7-1/4" (184 mm) overhang. Bathroom sink shall be made of vitreous china. Bathroom sink shall have 4" (102 mm) centers (-4) or single-hole (-1). Bathroom sink shall include overflow. Bathroom sink shall be Kohler Model K-11160-_____-0.

Technical Information

Fixture*:	
Basin area	18-1/2" (470 mm) x 10" (254 mm)
Water depth	4" (102 mm)
Drain hole	Ø 1-3/4" (44 mm)
* Approximate measurements for comparison only.	

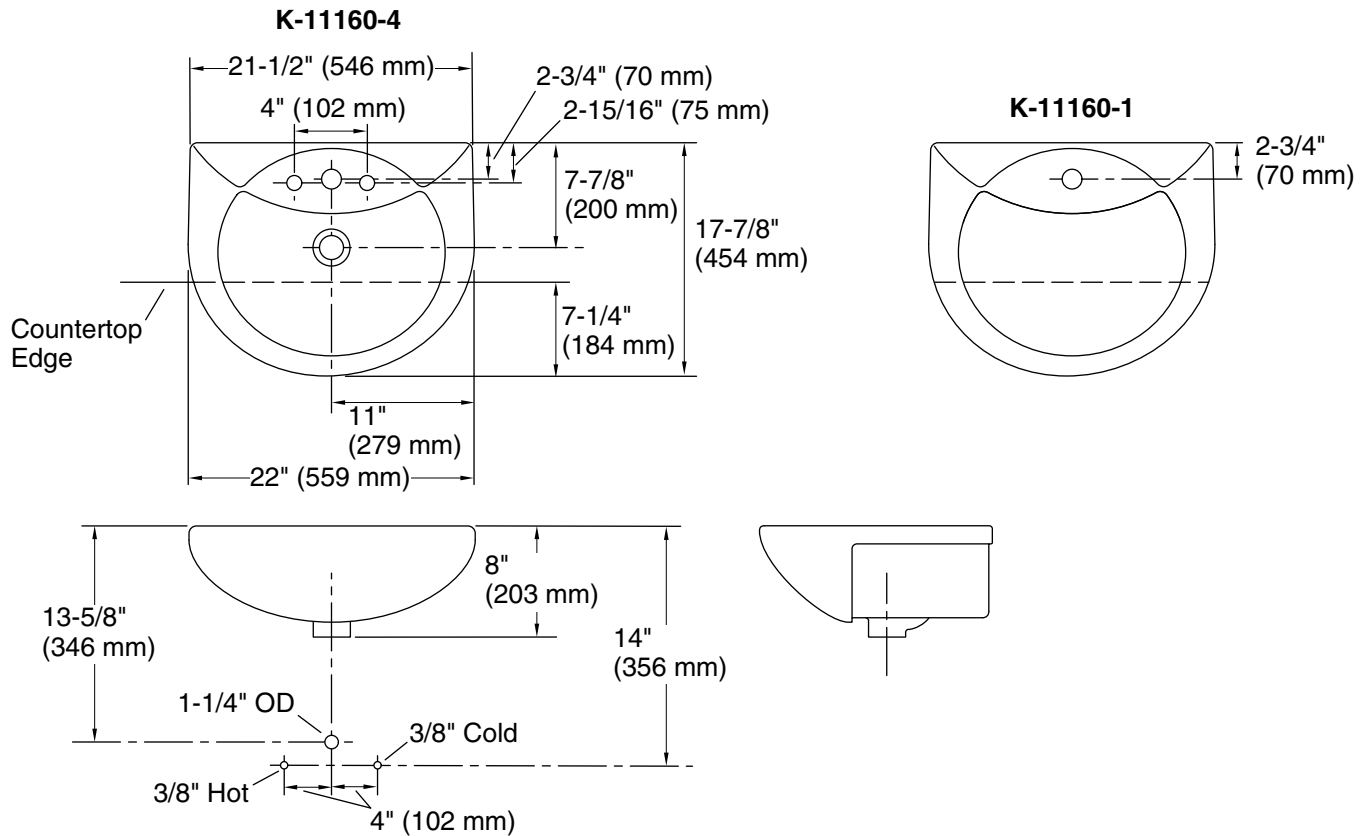
Holes	K-11160-1	K-11160-4
Spout	Ø 1-1/8" (29 mm)	Ø 1-1/4" (32 mm)
Faucet		Ø 1-1/4" (32 mm)
* Approximate measurements for comparison only.		

Included Components:	
Cut-out template	1054039-7

Installation Notes

Install this product according to the installation guide.

NOTICE: Countertop manufacturer or cutter **must** use the cutout template provided with the product, or a current one provided by Kohler Co. (call 1-800-4KOHLEER). Kohler Co. is not responsible for cutout errors when the incorrect cutout template is used.



Product Diagram