

Features

- Vitreous china
- Drop-in
- With overflow
- 8" (203 mm) centers (-8), 4" (102 mm) centers (-4), or single-hole (-1)
- 22-1/8" (562 mm) x 16-1/4" (413 mm) x 8-1/4" (210 mm)

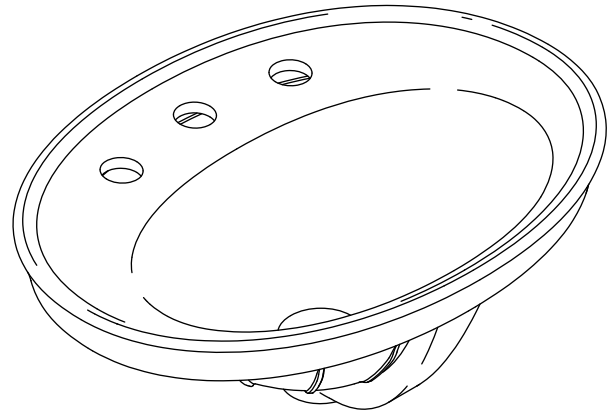
COUNTERTOP BATHROOM SINK K-2075

ADA

Codes/Standards Applicable

Specified model meets or exceeds the following:

- ADA
- ASME A112.19.2/CSA B45.1
- ICC/ANSI A117.1



Colors/Finishes

- 0: White
- Other: Refer to Price Book for additional colors/finishes

Accessories:

- CP: Polished Chrome

Specified Model

Model	Description	Colors/Finishes	
K-2075-8	8" (203 mm) centers bathroom sink	<input type="checkbox"/> 0	<input type="checkbox"/> Other_____
K-2075-4	4" (102 mm) centers bathroom sink	<input type="checkbox"/> 0	<input type="checkbox"/> Other_____
K-2075-1	Single-hole bathroom sink	<input type="checkbox"/> 0	<input type="checkbox"/> Other_____
Recommended Accessory			
K-8998	P-trap		<input type="checkbox"/> CP

Product Specification

The drop-in bathroom sink shall be 22-1/8" (562 mm) in length, 16-1/4" (413 mm) in width, and 8-1/4" (210 mm) in depth. Bathroom sink shall be made of vitreous china. Bathroom sinks shall have 8" (203 mm) centers (-8), 4" (102 mm) centers (-4), or single-hole (-1). Bathroom sink shall include overflow. Bathroom sink shall be Kohler Model K-2075-_____-_____.

Technical Information

Fixture*:	Basin area	Water depth
Bathroom sink	16-7/8" (429 mm) x 10-1/8" (256 mm)	4-7/8" (123 mm)
Drain Hole	Ø 1-3/4" (44 mm)	
* Approximate measurements for comparison only.		

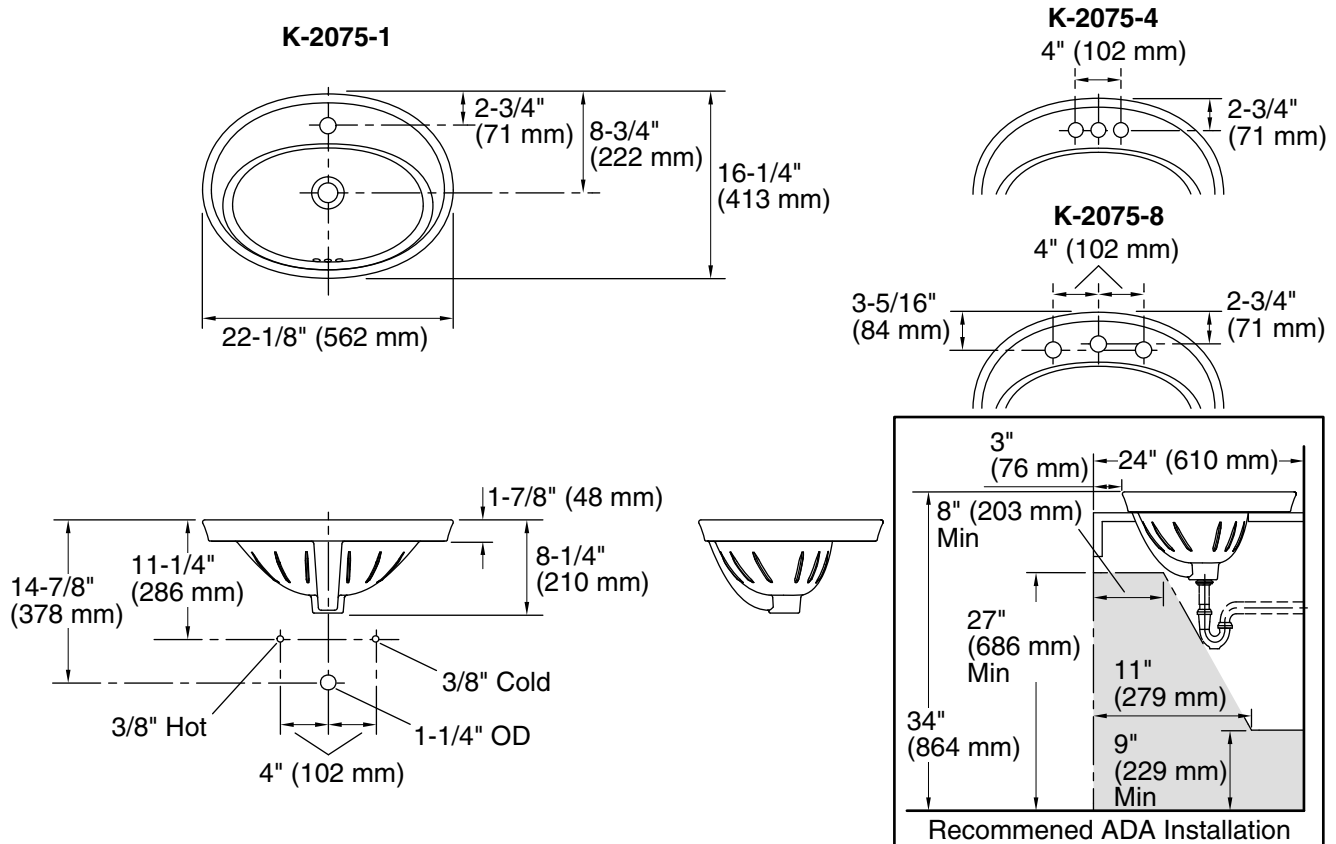
Holes	K-2075-8	K-2075-4	K-2075-1
Spout	Ø 1-3/16" (30 mm)	Ø 1-3/16" (30 mm)	Ø 1-3/8" (35 mm)
Faucet	Ø 1-3/8" (35 mm)	Ø 1-3/16" (30 mm)	

Included Components:	
Cut-out template	1014189-7

Installation Notes

Install this product according to the installation guide.

NOTICE: Countertop manufacturer or cutter **must** use the cut-out template provided with the product, or a current one provided by Kohler Co. (call 1-800-4-KOHLER). Kohler Co. is not responsible for cutout errors when the incorrect cut-out template is used.



Product Diagram