

DROP-IN BATHROOM SINK K-2991

ADA

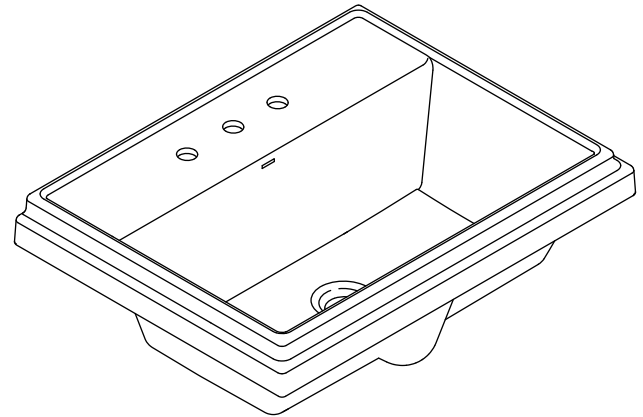
Features

- Vitreous china
- Drop-in
- With overflow
- 8" (203 mm) centers (-8), 4" (102 mm) centers (-4), or single-hole (-1)
- 21-13/16" (554 mm) x 16-9/16" (421 mm) x 8-1/16" (205 mm)

Codes/Standards Applicable

Specified model meets or exceeds the following:

- ASME A112.19.2/CSA B45.1
- ADA
- ICC/ANSI A117.1



Colors/Finishes

- 0: White
- Other: Refer to Price Book for additional colors/finishes

Accessories

- CP: Polished Chrome

Specified Model

Model	Description	Colors/Finishes	
K-2991-1	Drop-in bathroom sink – single-hole	<input type="checkbox"/> 0	<input type="checkbox"/> Other_____
K-2991-4	Drop-in bathroom sink – 4" (102 mm)	<input type="checkbox"/> 0	<input type="checkbox"/> Other_____
K-2991-8	Drop-in bathroom sink – 8" (203 mm) (shown)	<input type="checkbox"/> 0	<input type="checkbox"/> Other_____
Recommended Accessories			
K-8998	Adjustable P-Trap		<input type="checkbox"/> CP

Product Specification

The drop-in bathroom sink with overflow shall be made of vitreous china. Drop-in bathroom sink shall be 21-13/16" (554 mm) in length, 16-9/16" (421 mm) in width, and 8-1/16" (205 mm) in depth. Bathroom sink shall have 8" (203 mm) centers (K-2991-8), 4" (102 mm) centers (K-2991-4), or single-hole (K-2991-1). Bathroom sink shall be Kohler Model K-2991-_____.

TRESHAM™

Technical Information

Fixture*:	
Basin area	19-13/16" (503 mm) x 10-3/16" (259 mm)
Water depth	6-1/16" (154 mm)
Drain hole	Ø 1-3/4" (44 mm)
* Approximate measurements for comparison only.	

Holes	K-2991-8	K-2991-4	K-2991-1
Spout	Ø 1-3/8" (35 mm)	Ø 1-1/4" (32 mm)	Ø 1-3/8" (35 mm)
Faucet	Ø 1-3/8" (35 mm)	Ø 1-1/4" (32 mm)	

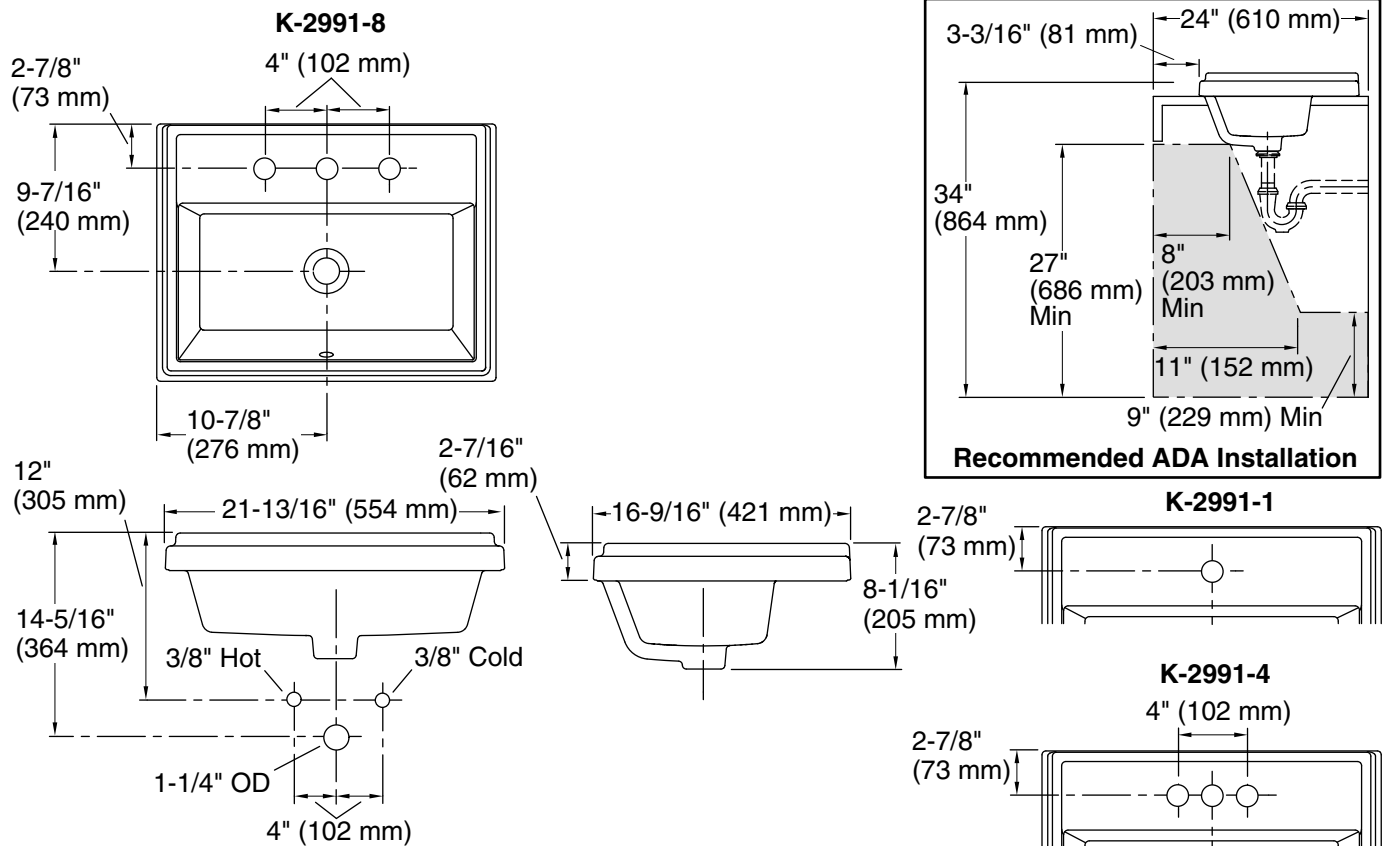
Included components:	
Cut-out template	1162721-7

Installation Notes

Install this product according to the installation guide.

NOTICE: Countertop manufacturer or cutter **must** use the cut-out template provided with the product, or a current one provided by Kohler Co. (call 1-800-4KOHLER). Kohler Co. is not responsible for cutout errors when the incorrect cut-out template is used.

Will comply with **ADA** when installed per Section 606 Lavatories of the Act.



Product Diagram