



For complete listing of available colors, go to kohler.com.

ADA **CSA B651** **OBC**

Codes/Standards

ASME A112.19.1/CSA B45.2

ADA

ICC/ANSI A117.1

CSA B651

OBC

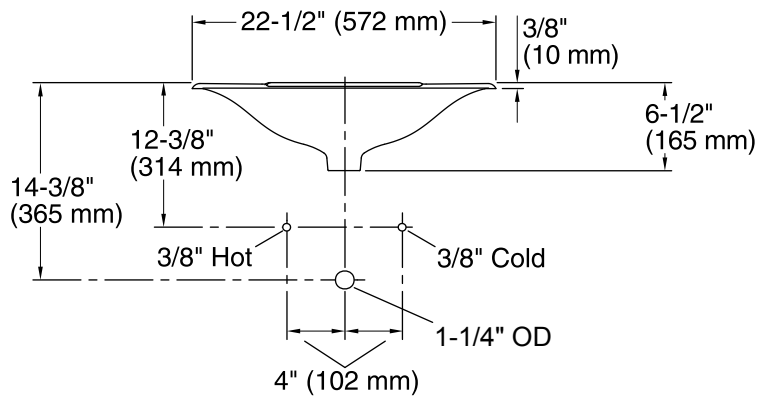
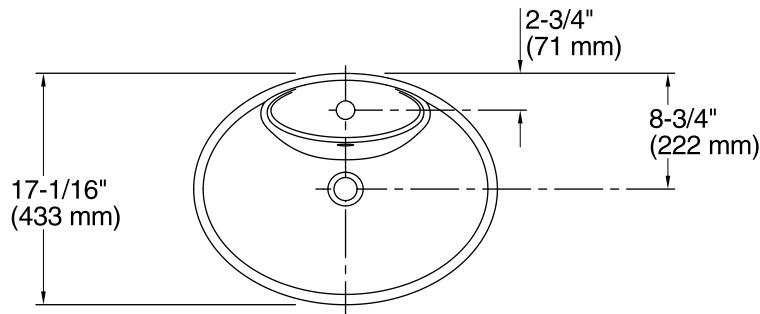
TAS

KOHLER® Lifetime Limited Warranty for Cast Iron Components

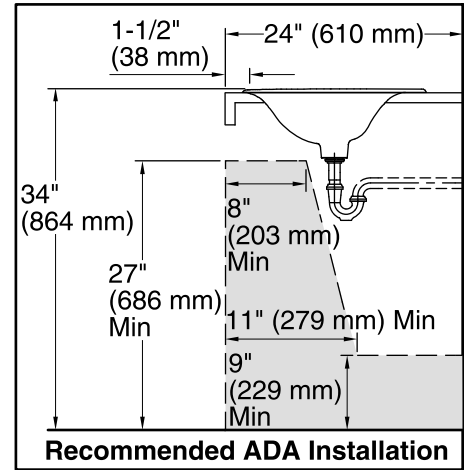
See website for detailed warranty information.

Product Specification

Bathroom sink shall be 22-1/2" (572 mm) in length, 17-1/16" (433 mm) in width, and 6-1/2" (165 mm) in height. Bathroom sink shall be made of KOHLER enameled cast iron. Bathroom sink shall be without overflow. Bathroom sink shall be single deck hole. Bathroom sink shall be drop-in installation. Bathroom sink shall be KOHLER Model K-2831-1.



Standard Installation



Recommended ADA Installation

Technical Information

All measurements are nominal.

Bowl configuration:	Single
Installation:	Drop-In
Bowl area (Only)	Length: 21-1/16" (535 mm) Width: 11-1/4" (286 mm) Bowl depth: 4-1/2" (115 mm) Water depth: 4-1/2" (115 mm)

Number of deck holes:	1
Faucet hole(s):	1-3/8" (35 mm)
Drain hole:	1-3/4" (44 mm)
Template:	Drop-in, 1046628-7, not required, included

Installation Notes

Install this product according to the installation guide.

NOTICE: Countertop manufacturer or cutter must use the cut-out template provided with the product, or a current one provided by Kohler Co. (call 1-800-4-KOHLER). Kohler Co. is not responsible for cutout errors when the incorrect cut-out template is used.

Product does not have an overflow.

ADA, OBC, CSA B651, TAS compliant when installed to the specific requirements of these regulations.