

Features

- KOHLER cast iron
- Drop-in
- With overflow
- 20" (508 mm) x 17" (432 mm)

DROP-IN BATHROOM SINK K-2839

ADA

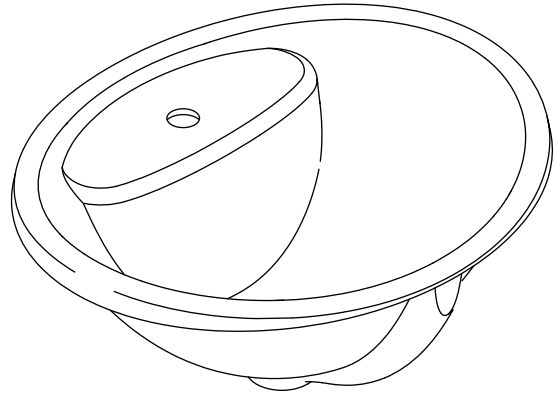
CSA B651

OBC

Codes/Standards Applicable

Specified model meets or exceeds the following:

- ADA
- ICC/ANSI A117.1
- ASME A112.19.1/CSA B45.2
- CSA B651
- OBC



Colors/Finishes

- 0: White
- Other: Refer to Price Book for additional colors/finishes

Accessories

- CP: Polished Chrome
- Other: Refer to Price Book for additional colors/finishes

Specified Model

| Model | Description | Colors/Finishes | |
|----------|---|----------------------------|-------------------------------------|
| K-2839-1 | Drop-in bathroom sink – single-hole (shown) | <input type="checkbox"/> 0 | <input type="checkbox"/> Other_____ |
| K-2839-4 | Drop-in bathroom sink – 4" (102 mm) centers | <input type="checkbox"/> 0 | <input type="checkbox"/> Other_____ |
| K-2839-8 | Drop-in bathroom sink – 8" (203 mm) centers | <input type="checkbox"/> 0 | <input type="checkbox"/> Other_____ |

Recommended Accessories

| | | | |
|--------|----------------------------|-----------------------------|-------------------------------------|
| K-7107 | Decorative drain OR | <input type="checkbox"/> CP | <input type="checkbox"/> Other_____ |
| K-7108 | Decorative drain OR | <input type="checkbox"/> CP | <input type="checkbox"/> Other_____ |
| K-7129 | Grid drain | <input type="checkbox"/> CP | <input type="checkbox"/> Other_____ |
| K-9018 | P-Trap | <input type="checkbox"/> CP | <input type="checkbox"/> Other_____ |

Product Specification

The drop-in bathroom sink shall be made of KOHLER cast iron. Sink shall be 20" (508 mm) in length and 17" (432 mm) in width. Sink shall have 8" (203 mm) centers (-8), 4" (102 mm) centers (-4), or single faucet hole (-1). Sink shall be with overflow. Bathroom sink shall be Kohler Model K-2839-_____-_____.

TIDES®

Technical Information

| | | | |
|---|---------------------------------------|------------------|------------------|
| Fixture:* | | | |
| Basin area | 18-1/16" (459 mm) x 10-3/16" (259 mm) | | |
| Basin depth | 7-1/2" (191 mm) | | |
| Drain hole | Ø 1-5/8" (41 mm) | | |
| * Approximate measurements for comparison only. | | | |
| Holes | K-2839-8 | K-2839-4 | K-2839-1 |
| Spout | Ø 1-3/8" (35 mm) | Ø 1-3/8" (35 mm) | Ø 1-3/8" (35 mm) |
| Faucet | Ø 1-3/8" (35 mm) | Ø 1-3/8" (35 mm) | |
| Included components: | | | |
| Cut-out template | 1147017-7 | | |

Installation Notes

Install this product according to the installation guide.

Will comply with **ADA** when installed per section 606 Lavatories of the Act.

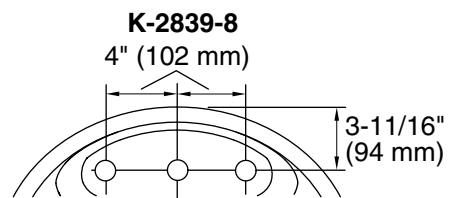
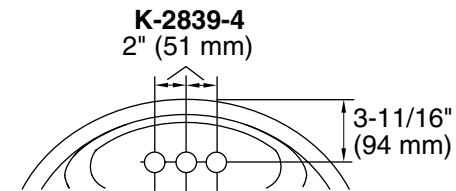
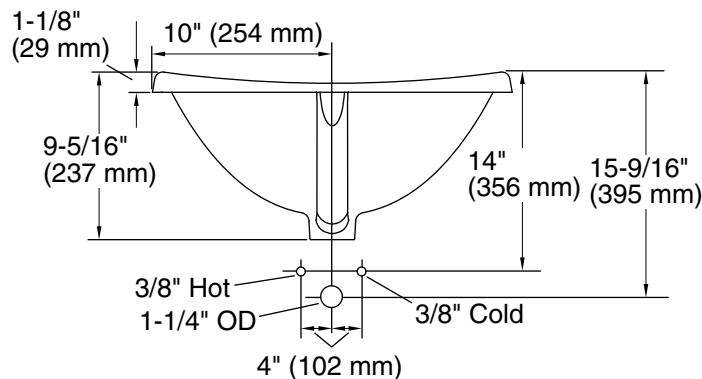
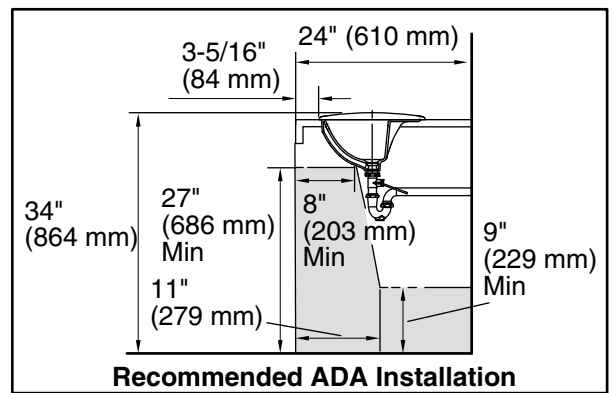
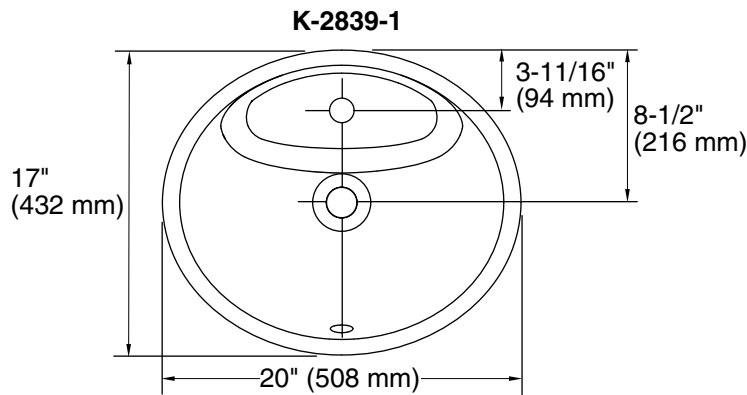
Will comply with **CSA B651** when installed per Clause 4.3.3 of the standard.

Will comply with **OBC** when installed per Clause 3.8.3.11.

Spout must be 5" (127 mm) long (min) for adequate clearance into the bathroom sink when installed with the centerline as shown.

Spout must be tall enough to clear 3" (76 mm) rim height and provide a 1" (25 mm) air gap per ASME A112.1.1.

NOTICE: Countertop manufacturer or cutter must use the cut-out template provided with product, or a current one provided by Kohler Co. (call 1-800-4-KOHLER). Kohler Co. is not responsible for the cut-out errors when the incorrect cut-out template is used.



Product Diagram