

COUNTERTOP BATHROOM SINK K-2279

ADA

CSA B651

OBC

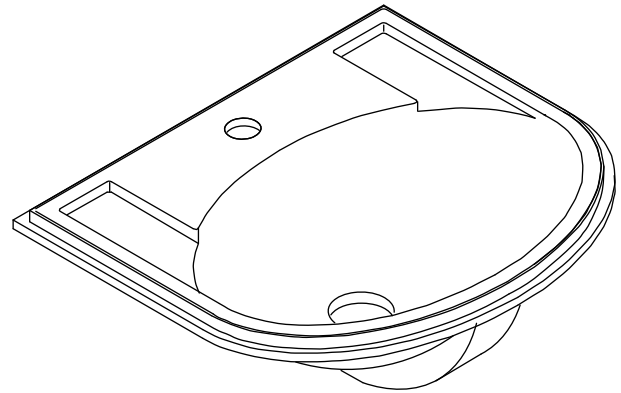
Features

- Vitreous china
- Drop-in
- With overflow
- 8" (203 mm) centers (-8), 4" (102 mm) centers (-4), or single-hole (-1)
- 19-3/4" (502 mm) x 16-7/8" (429 mm)

Codes/Standards Applicable

Specified model meets or exceeds the following:

- ADA
- ICC/ANSI A117.1
- CSA B651
- OBC
- ASME A112.19.2/CSA B45.1



Colors/Finishes

- 0: White
- Other: Refer to Price Book for additional colors/finishes

Accessories

- CP: Polished Chrome

Specified Model

Model	Description	Colors/Finishes	
K-2279-8	Bathroom sink with 8" (203 mm) centers	<input type="checkbox"/> 0	<input type="checkbox"/> Other _____
K-2279-4	Bathroom sink with 4" (102 mm) centers	<input type="checkbox"/> 0	<input type="checkbox"/> Other _____
K-2279-1	Bathroom sink with single-hole drilling	<input type="checkbox"/> 0	<input type="checkbox"/> Other _____
Recommended Accessories			
K-8998	P-Trap		<input type="checkbox"/> CP

Product Specification

Bathroom sink shall be made of vitreous china. The drop-in bathroom sink shall be 19-3/4" (502 mm) in length and 16-7/8" (429 mm) in width. Bathroom sink shall include overflow. Bathroom sink shall have 8" (203 mm) centers (-8), 4" (102 mm) centers (-4), or single-hole drilling (-1). Bathroom sink shall be Kohler Model K-2279-_____-_____.

DEVONSHIRE®

Technical Information

Fixture*:	
Basin area	17" (432 mm) x 11" (279 mm)
Water depth	4-1/2" (114 mm)
Drain hole	1-3/4" (44 mm)
* Approximate measurements for comparison only.	

Holes	K-2279-1	K-2279-4	K-2279-8
Spout	Ø 1-3/8" (35 mm)	Ø 1-1/4" (32 mm)	Ø 1-3/8" (35 mm)
Faucet		Ø 1-1/4" (32 mm)	Ø 1-3/8" (35 mm)

Included components:	
Cut-out template	1002978-7

Installation Notes

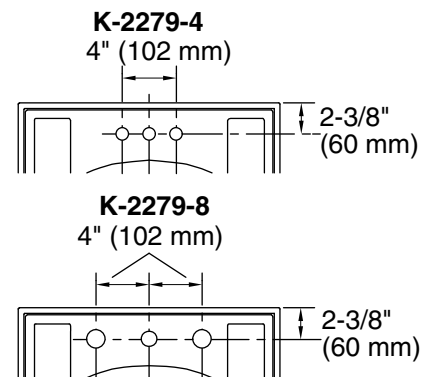
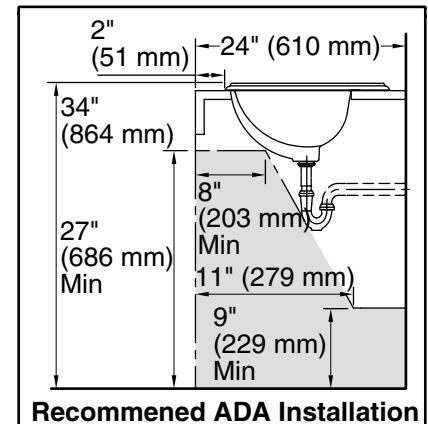
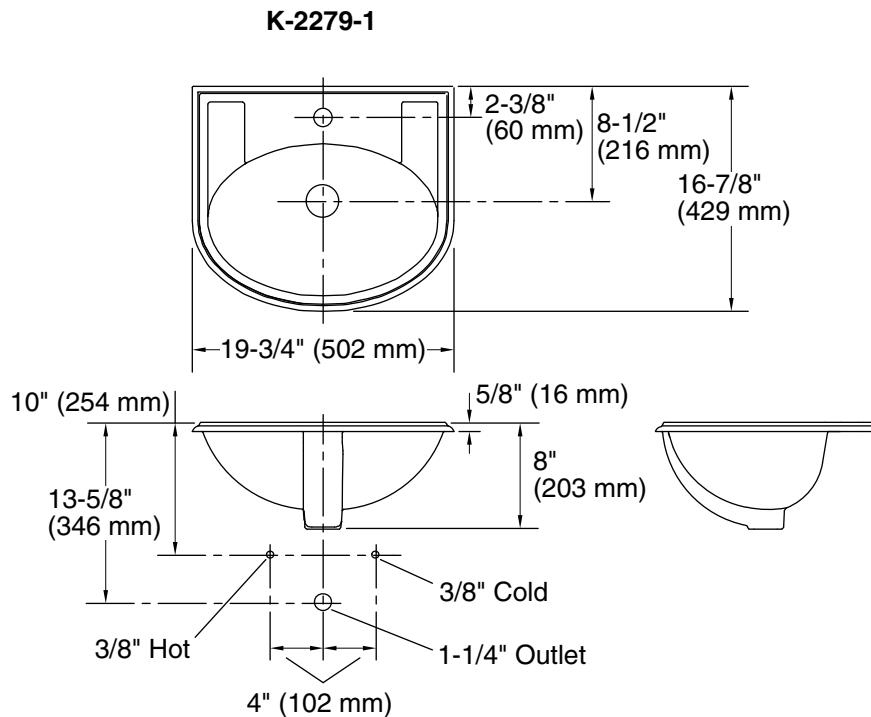
Install this product according to the installation guide.

NOTICE: Countertop manufacturer or cutter **must** use the cut-out template provided with the product, or a current one provided by Kohler Co. (call 1-800-4KOHLE). Kohler Co. is not responsible for cutout errors when the incorrect cut-out template is used.

Will comply with **ADA** when installed per section 606 Lavatories of the Act.

Will comply with **CSA B651** when installed per Clause 4.3.3 of the standard.

Will comply with **OBC** when installed per Clause 3.8.3.11.



Product Diagram