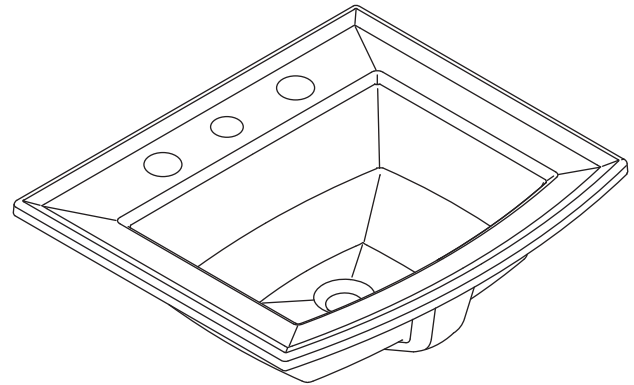


### Features

- Vitreous china
- Drop-in
- With overflow
- 8" (203 mm) centers (-8), 4" (102 mm) centers (-4), or single-hole (-1)
- 22-5/8" (575 mm) x 19-7/16" (494 mm) x 7-7/8" (200 mm)

## COUNTERTOP BATHROOM SINK K-2356

ADA



### Codes/Standards Applicable

Specified model meets or exceeds the following:

- ADA
- ASME A112.19.2/CSA B45.1
- ICC/ANSI A117.1

### Colors/Finishes

- 0: White
- Other: Refer to Price Book for additional colors/finishes

### Accessories:

- CP: Polished Chrome

### Specified Model

Model	Description	Colors/Finishes	
K-2356-8	8" (203 mm) centers bathroom sink (shown)	<input type="checkbox"/> 0	<input type="checkbox"/> Other_____
K-2356-4	4" (102 mm) centers bathroom sink	<input type="checkbox"/> 0	<input type="checkbox"/> Other_____
K-2356-1	Single-hole bathroom sink	<input type="checkbox"/> 0	<input type="checkbox"/> Other_____
Recommended Accessory			
K-8998	Adjustable P-trap		<input type="checkbox"/> CP

### Product Specification

The drop-in bathroom sink shall be made of vitreous china. Bathroom sink shall be 22-5/8" (575 mm) in length, 19-7/16" (494 mm) in width, and 7-7/8" (200 mm) in depth. Bathroom sink shall have 8" (203 mm) centers (-8), 4" (102 mm) centers (-4), or single-hole (-1). Bathroom sink shall be with overflow. Bathroom sink shall be Kohler Model K-2356-\_\_\_\_\_-\_\_\_\_\_.

# ARCHER™

## Technical Information

Fixture*:	
Basin area	16-7/8" (429 mm) x 12-9/16" (319 mm)
Water depth	4" (102 mm)
Drain hole	Ø 1-3/4" (44 mm)
* Approximate measurements for comparison only.	

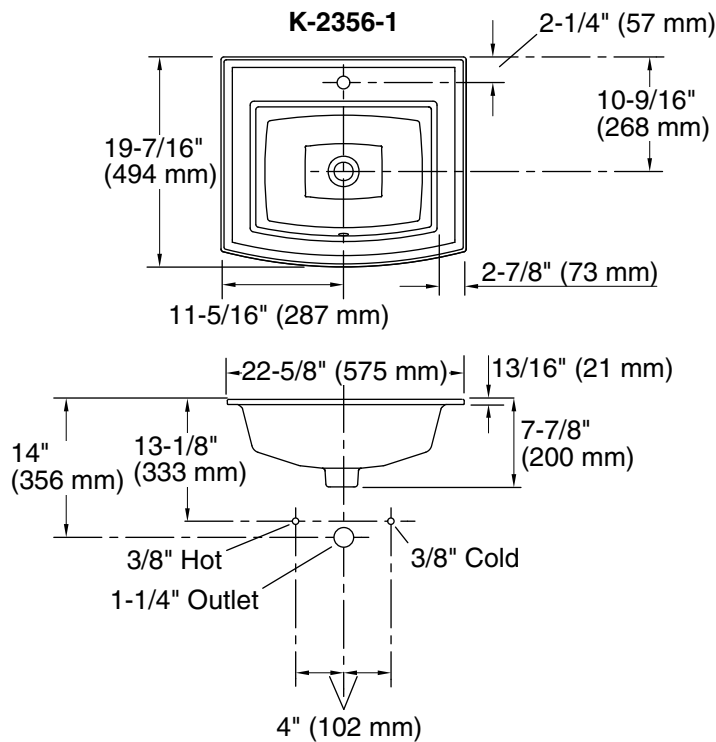
Included components:	
Cut-out template	1051936-7

Holes	K-2356-8	K-2356-4	K-2356-1
Spout	Ø 1-3/8" (35 mm)	Ø 1-1/4" (32 mm)	Ø 1-3/8" (35 mm)
Faucet	Ø 1-3/8" (35 mm)	Ø 1-1/4" (32 mm)	

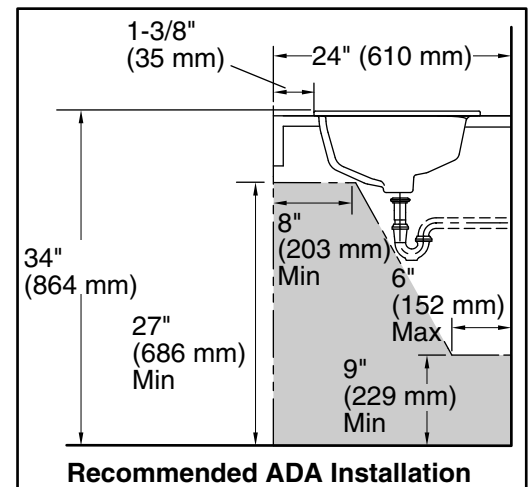
## Installation Notes

Install this product according to the installation guide.

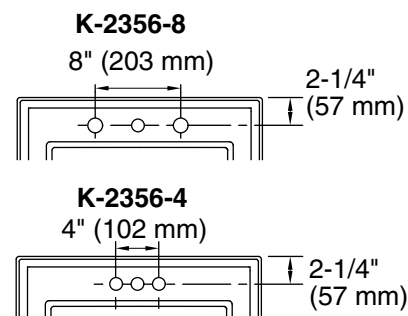
**NOTICE:** Countertop manufacturer or cutter **must** use the cut-out template provided with the product, or a current one provided by Kohler Co. (call 1-800-4KOHLER). Kohler Co. is not responsible for cutout errors when the incorrect cut-out template is used.



Standard Installation



Recommended ADA Installation



## Product Diagram