

### DROP-IN BATHROOM SINK K-2905

#### Features

- KOHLER cast iron
- With overflow
- 8" (203 mm) centers (-8), 4" (102 mm) centers (-4), or single-hole (-1)
- Drop-in installation
- 19-1/4" (489 mm) x 16-1/4" (413 mm)

ADA

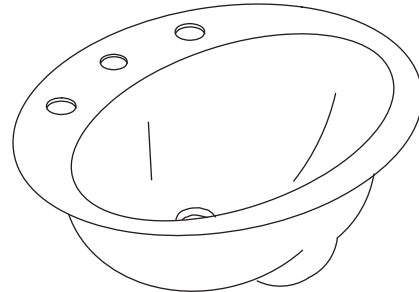
CSA B651

OBC

#### Codes/Standards Applicable

Specified model meets or exceeds the following:

- ADA
- ICC/ANSI A117.1
- ASME A112.19.1/CSA B45.2
- CSA B651
- OBC



#### Colors/Finishes

- 0: White
- Other: Refer to Price Book for additional colors/finishes

#### Accessories

- CP: Polished Chrome
- Other: Refer to Price Book for additional colors/finishes

#### Specified Model

Model	Description	Colors/Finishes	
K-2905-1	Drop-in bathroom sink - for single-hole	<input type="checkbox"/> 0	<input type="checkbox"/> Other_____
K-2905-4	Drop-in bathroom sink - for 4" (102 mm) centers	<input type="checkbox"/> 0	<input type="checkbox"/> Other_____
K-2905-8	Drop-in bathroom sink - for 8" (203 mm) centers	<input type="checkbox"/> 0	<input type="checkbox"/> Other_____

Recommended Accessory			
K-8998	P-Trap	<input type="checkbox"/> CP	<input type="checkbox"/> Other_____

#### Product Specification

The drop-in bathroom sink shall be 19-1/4" (489 mm) in length, and 16-1/4" (413 mm) in width. Sink shall be made of KOHLER cast iron. Sink shall have 8" (203 mm) centers (K-2905-8), 4" (102 mm) centers (K-2905-4), or single-hole (K-2905-1). Sink shall have overflow. Sink shall be Kohler Model K-2905-\_\_\_\_\_-\_\_\_\_\_.

# FARMINGTON®

## Technical Information

Fixture:*	
Bowl area	16" (406 mm) x 11" (279 mm)
Water depth	5" (127 mm)
Drain hole	Ø 1-11/16" (43 mm)
* Approximate measurements for comparison only.	

Holes	K-2905-1	K-2905-4	K-2905-8
Spout	Ø 1-3/8" (35 mm)	Ø 1-3/8" (35 mm)	Ø 1-3/8" (35 mm)
Faucet		Ø 1-3/8" (35 mm)	Ø 1-3/8" (35 mm)

Included Components:	
Overflow ferrule	84896
Cutout template	1002973-7

## Installation Notes

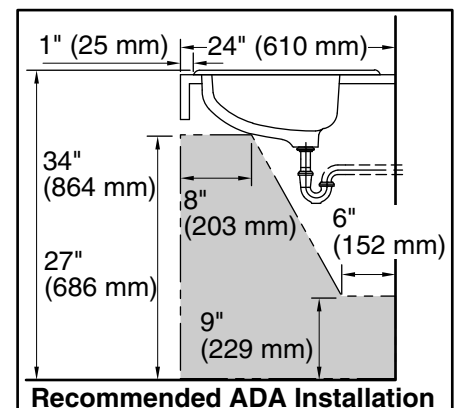
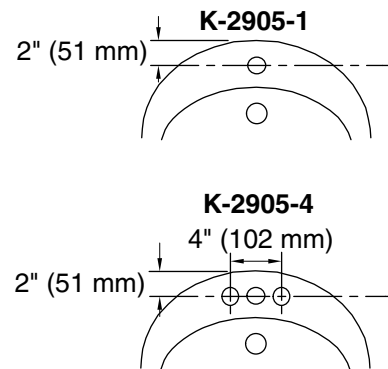
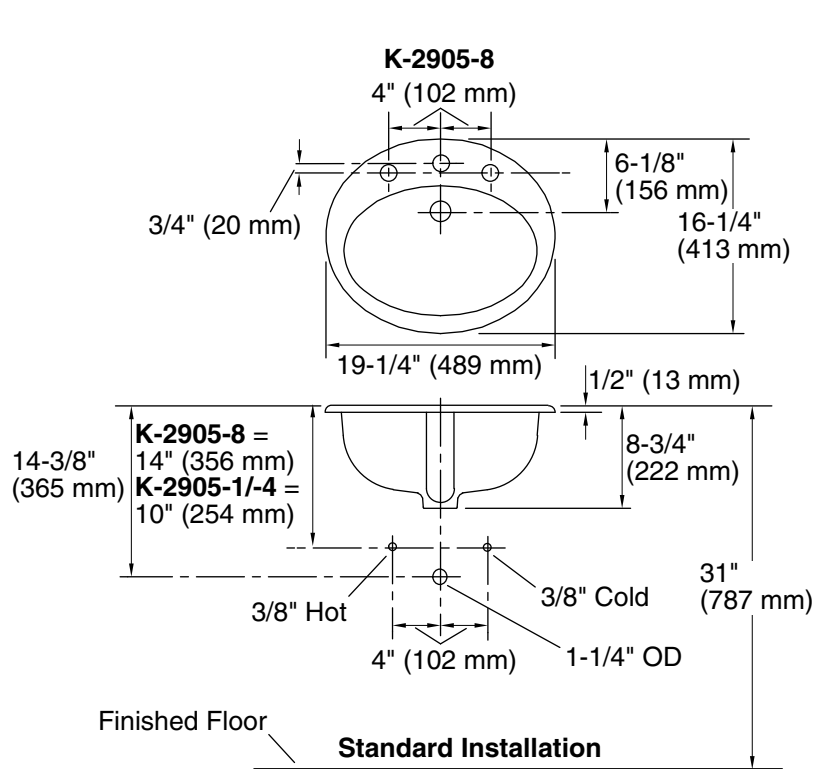
Install this product according to the installation guide.

Will comply with **ADA** when installed per Section 606 Lavatories and Sinks of the 2010 ADA Standards for Accessible Design.

Will comply with **CSA B651** when installed per Clause 4.3.3 of the standard.

Will comply with **OBC** when installed per Clause 3.8.3.11.

**NOTICE:** Countertop manufacturer or cutter must use the current product template available at [www.kohler.com](http://www.kohler.com), or by calling 1-800-4KOHLER. Kohler Co. is not responsible for cutout errors when the incorrect cutout template is used.



## Product Diagram