

Features

- Distinctive round spun-glass basin
- No faucet holes; requires wall- or counter-mount faucet
- Glass material provides a strong durable surface that is easy to clean yet visually distinctive
- Fits in or within a standard size countertop and works with a variety of faucet styles

Material

- Glass

Installation

- Under-mount

Required Accessories

K-7107 Decorative drain

or

K-7108 Decorative Drain

or

K-7129 Drain

Components

Additional included component/s: Hardware Kit - 52047, and Drain Gasket Kit - 1070246.



For complete listing of available colors, go to kohler.com.

ADA

Codes/Standards

ADA

ICC/ANSI A117.1

CSA B45.11/IAPMO Z401

CSA B45.5/IAPMO Z124

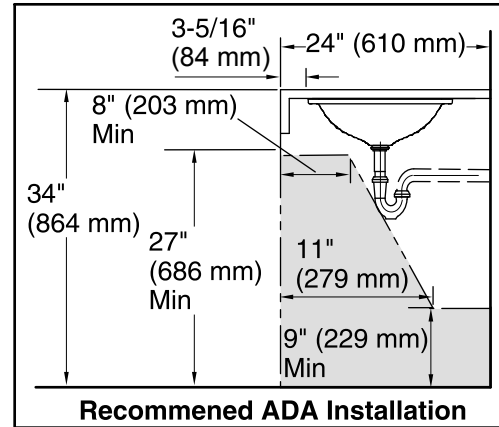
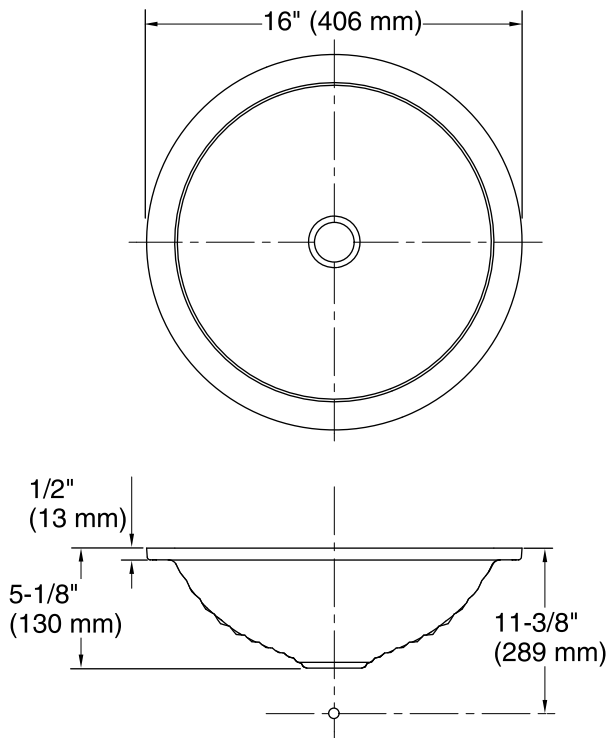
TAS

KOHLER® One-Year Limited Warranty

See website for detailed warranty information.

Product Specification

Bathroom sink shall be 16" (406 mm) in diameter and 5-1/8" (130 mm) in height. Bathroom sink shall be made of glass. Bathroom sink shall be less overflow. Bathroom sink shall be less deck holes. Bathroom sink shall be under-mount installation. Bathroom sink shall be KOHLER Model K-2361.



Technical Information

All measurements are nominal.

Bowl configuration:	Single
Installation:	Under-mount
Bowl area (Only)	Diameter: 13-5/8" (346 mm) Bowl depth: 4-1/4" (108 mm) Water depth: 4-1/4" (108 mm)
Template:	Under-mount, 1035896-7, required, included

Installation Notes

Install this product according to the installation guide.

NOTICE: Countertop manufacturer or cutter must use the cut-out template provided with the product, or a current one provided by Kohler Co. (call 1-800-4-KOHLER). Kohler Co. is not responsible for cutout errors when the incorrect cut-out template is used.

ADA, TAS compliant when installed to the specific requirements of these regulations.