

VESSELS BATHROOM SINK K-2393

ADA

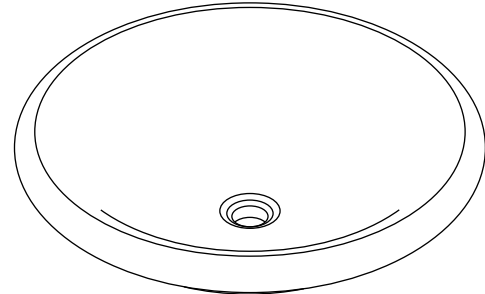
Features

- Marble
- Without overflow
- Above-counter installation
- 17" (432 mm) diameter

Codes/Standards Applicable

Specified model meets or exceeds the following:

- ADA
- ICC/ANSI A117.1



Colors/Finishes

- WH: White Carrera Marble

Accessories

- CP: Polished Chrome
- Other: Refer to Price Book for additional colors/finishes
- NA: None applicable

Specified Model

Model	Description	Colors/Finishes	
K-2393	Vessels bathroom sink	<input type="checkbox"/> WH	
Required Accessories			
K-7107	Decorative grid drain without overflow OR	<input type="checkbox"/> CP	<input type="checkbox"/> Other _____
K-7108	Decorative grid drain without overflow	<input type="checkbox"/> CP	<input type="checkbox"/> Other _____
Recommended Accessories			
K-307-K	Wall-mount valve AND	<input type="checkbox"/> NA	
K-T198	Falling Water® faucet trim with 10-1/4" (260 mm) spout OR	<input type="checkbox"/> CP	<input type="checkbox"/> Other _____
K-T199	Falling Water faucet trim with 12" (305 mm) spout	<input type="checkbox"/> CP	<input type="checkbox"/> Other _____
K-9018	P-Trap	<input type="checkbox"/> CP	<input type="checkbox"/> Other _____

Product Specification

The marble vessels bathroom sink shall be 17" (432 mm) in diameter. Bathroom sink shall be for above-counter installation. Bathroom sink shall be without overflow. Bathroom sink shall be Kohler Model K-2393-WH.

BOTTICELLI®

Technical Information

Fixture:*	
Basin area	Ø 17" (432 mm)
Water depth	4-5/16" (110 mm)
Drain hole	Ø 1-3/4" (44 mm)
* Approximate measurements for comparison only.	
Included components:	
Cutout template	1096149-7

Installation Notes

Install this product according to the installation guide.

Product does not have an overflow.

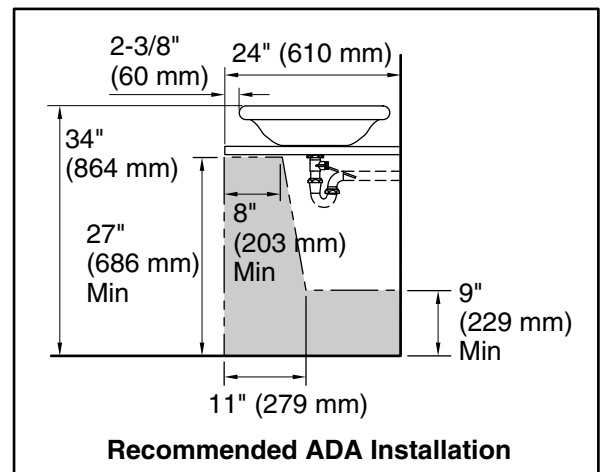
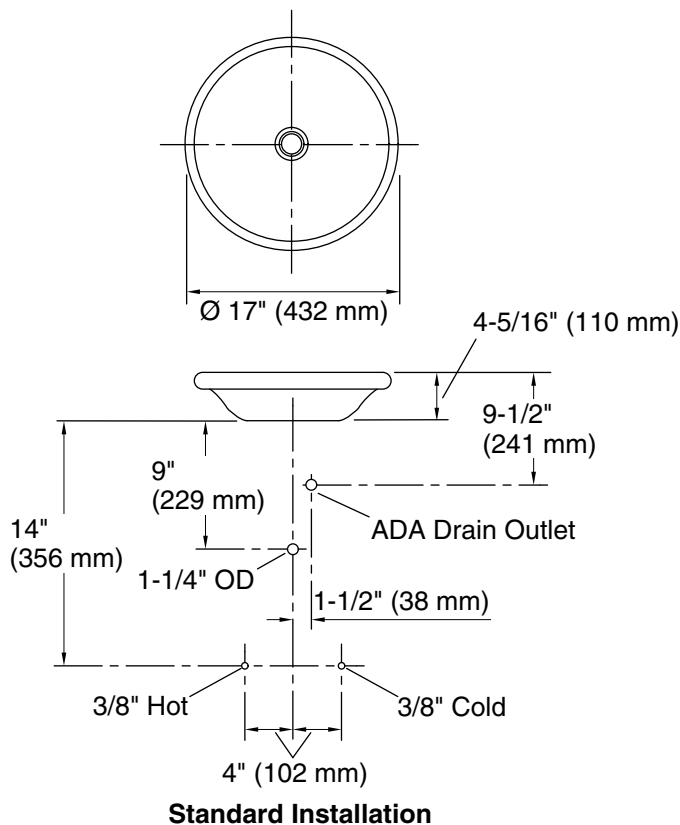
Product rests on a countertop. Consider height of product when designing installation.

Choose a faucet that will provide adequate clearance and will direct the water stream to the center of the bathroom sink.

Spout must be mounted high enough to clear 4-5/16" (110 mm) rim height and provide a 1" (25 mm) minimum air gap per ASME A112.1.2.

NOTICE: Countertop manufacturer or cutter must use the current product template available at www.kohler.com, or by calling 1-800-4KOHLER. Kohler Co. is not responsible for cutout errors when the incorrect cutout template is used.

Will comply with **ADA** when installed per section 606 Lavatories of the Act.



Product Diagram