

Features

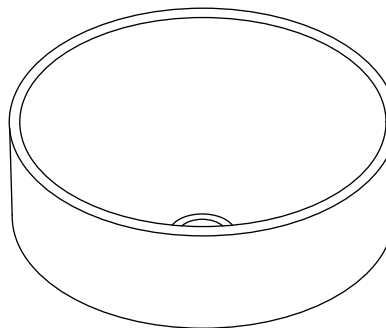
- Vitreous china
- Above-the-counter
- With overflow
- 16-1/2" (419 mm) diameter

VESSELS BATHROOM SINK K-14800

Codes/Standards Applicable

Specified model meets or exceeds the following:

- ASME A112.19.2/CSA B45.1



Colors/Finishes

- 0: White
- Other: Refer to Price Book for additional colors/finishes

Specified Model

Model	Description	Colors/Finishes	
K-14800	Vessels bathroom sink	<input type="checkbox"/> 0	<input type="checkbox"/> Other_____

Product Specification

The vessels bathroom sink shall be made of vitreous china. Bathroom sink shall be 16-1/2" (419 mm) in diameter. Bathroom sink shall be for above-the-counter installation and with overflow. Bathroom sink shall be Kohler Model K-14800-_____.

Technical Information

Fixture:*	
Basin area	Ø 15-1/2" (394 mm)
Water depth	5-3/4" (146 mm)
Drain hole	Ø 1-3/4" (44 mm)
* Approximate measurements for comparison only.	
Included components:	
Cut-out template	1144643-7

Installation Notes

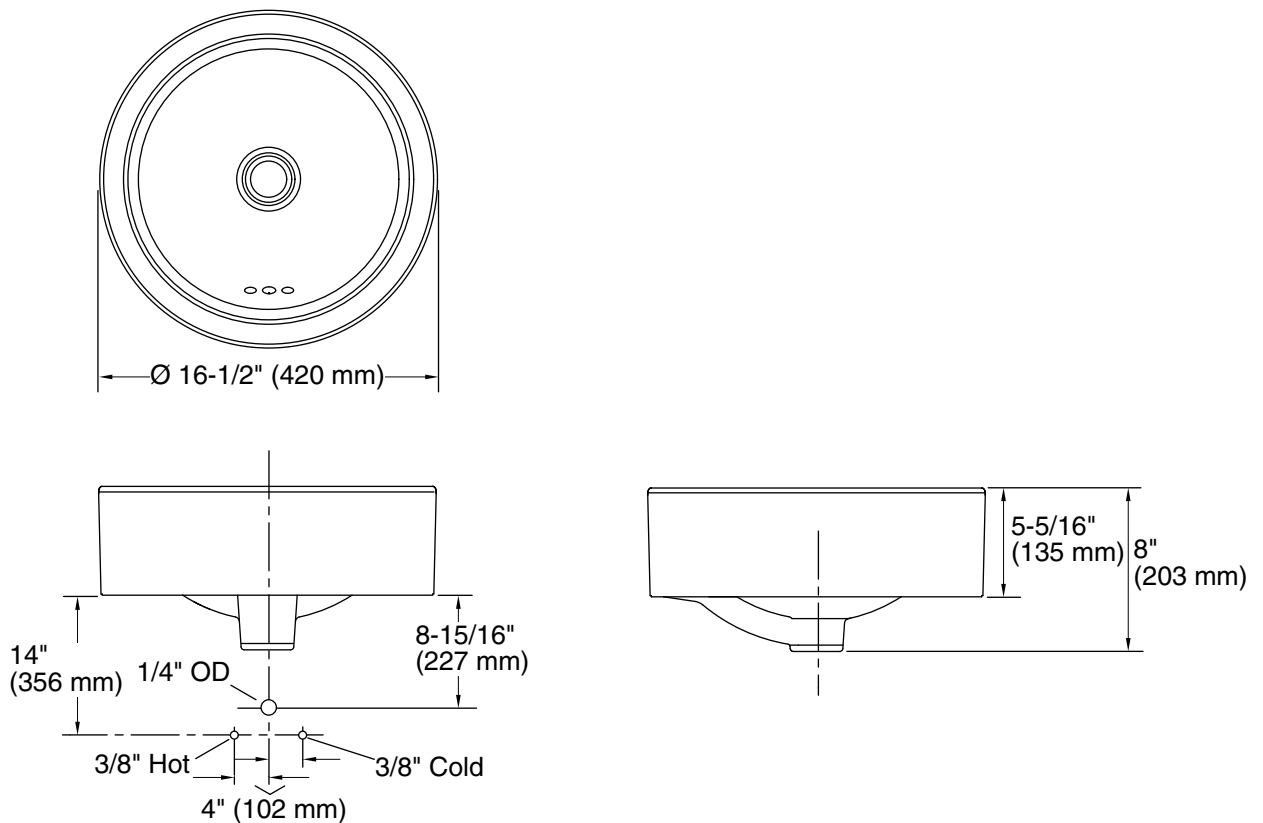
Install this product according to the installation guide.

Choose a faucet that will provide adequate clearance and will direct the water stream to the center of the bathroom sink.

Spout must be mounted high enough to clear 5-5/16" (135 mm) rim height and provide a 1" (25 mm) min air gap per ASME A112.1.2.

NOTICE: Countertop manufacturer or cutter must use the cut-out template provided with the product, or a current one provided by Kohler Co. (call 1-800-4KOHLER). Kohler Co. is not responsible for cutout errors when incorrect cut-out template is used.

Product rests on a countertop. Consider height of product when designing installation.



Product Diagram