

### UNDER-MOUNT BATHROOM SINK K-2319

ADA

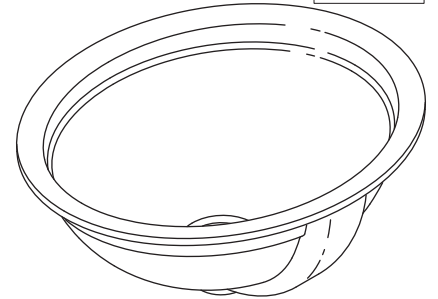
#### Features

- Vitreous china
- Under-mount
- With overflow
- Includes 1193643 clamp assembly
- 17" (432 mm) x 14" (356 mm) x 8-1/2" (216 mm)

#### Codes/Standards Applicable

Specified model meets or exceeds the following:

- ADA
- ASME A112.19.2/CSA B45.1
- ICC/ANSI A117.1



#### Colors/Finishes

- 0: White
- Other: Refer to Price Book for additional colors/finishes

#### Accessories

- CP: Polished Chrome
- Other: Refer to Price Book for additional colors/finishes

#### Specified Model

| Model                   | Description               | Colors/Finishes             |                                     |
|-------------------------|---------------------------|-----------------------------|-------------------------------------|
| K-2319                  | Under-mount bathroom sink | <input type="checkbox"/> 0  | <input type="checkbox"/> Other_____ |
| Recommended Accessories |                           |                             |                                     |
| K-8998                  | P-Trap                    | <input type="checkbox"/> CP | <input type="checkbox"/> Other_____ |

#### Product Specification

The under-mount bathroom sink shall be made of vitreous china. Bathroom sink shall have overflow. Bathroom sink shall include 1193643 clamp assembly. Bathroom sink shall be 17" (432 mm) in length, 14" (356 mm) in width, and 8-1/2" (216 mm) in height. Bathroom sink shall be Kohler Model K-2319-\_\_\_\_\_.

# BANCROFT®

## Technical Information

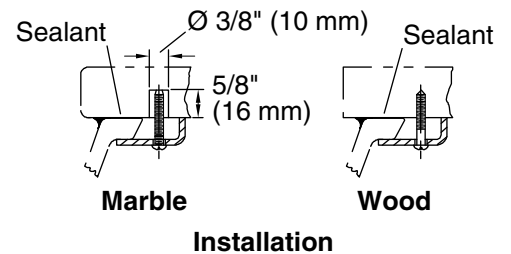
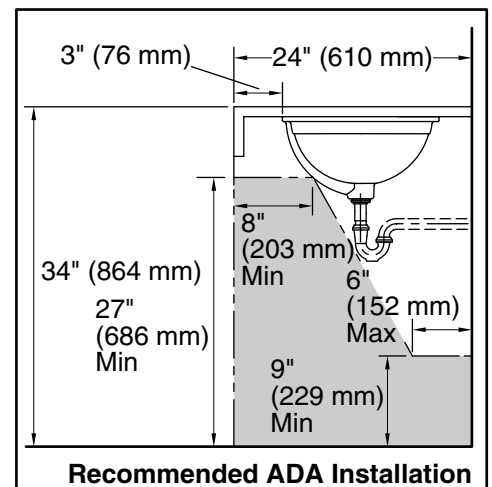
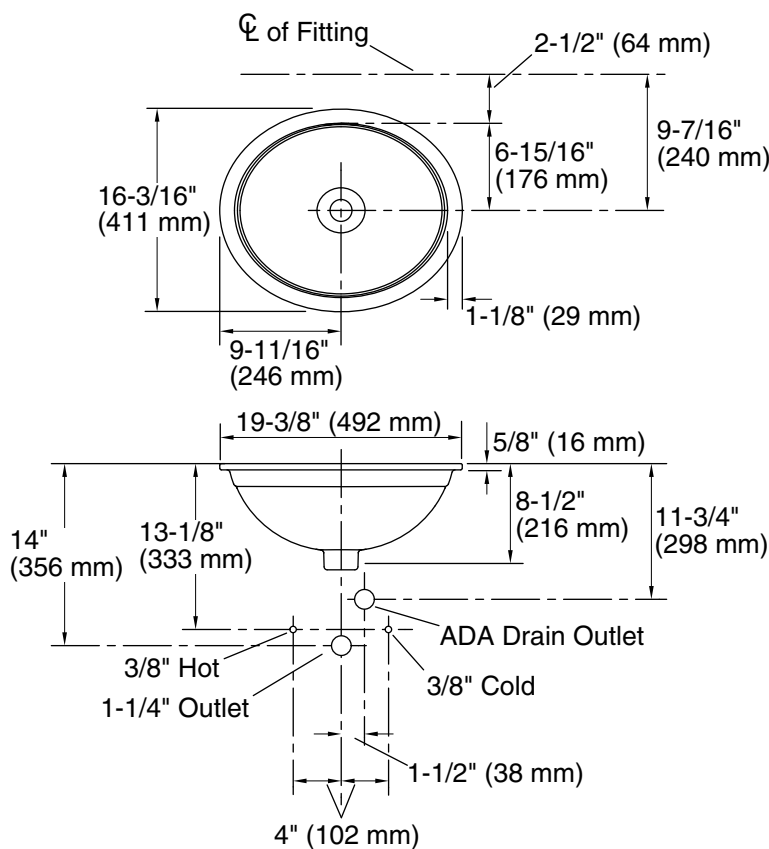
|   |                                      |
|---|--------------------------------------|
| Fixture*:                                       |                                      |
| Basin area                                      | 17-1/4" (438 mm) x 14-1/16" (357 mm) |
| Water depth                                     | 5" (127 mm)                          |
| Drain hole                                      | Ø 1-3/4" (44 mm)                     |
| * Approximate measurements for comparison only. |                                      |
| Cutout template                                 | 1002975-7                            |
| Included components:                            |                                      |
| Basin clamp assembly                            | 1193643                              |

## Installation Notes

Install this product according to the installation guide.

**NOTICE:** Countertop manufacturer or cutter must use the current product template available at [www.kohler.com](http://www.kohler.com), or by calling 1-800-4KOHLER. Kohler Co. is not responsible for cutout errors when the incorrect cutout template is used.

Will comply with **ADA** when installed per section 606 Lavatories and Sinks of the 2010 ADA Standards for Accessible Design.



## Product Diagram