

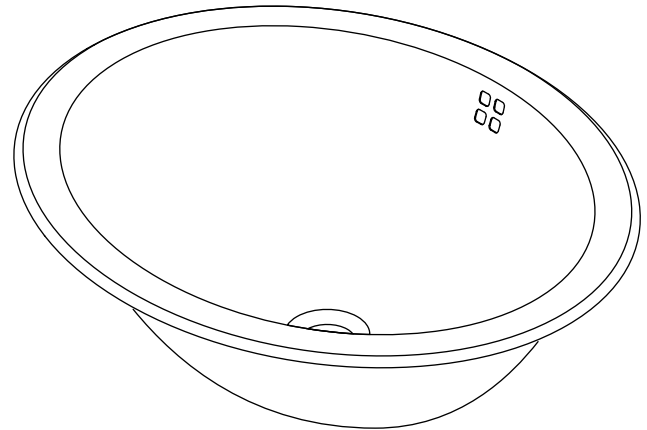
Features

- 20-gauge stainless steel
- Oval shape
- Includes basin clamp assembly
- Under-mount or drop-in installation
- High-density polyethylene overflow shell (K-2609 only)
- Available in Mirror or Luster finish
- With or without overflow
- 19-7/8" (505 mm) x 16-11/16" (424 mm)

Codes/Standards Applicable

Specified model meets or exceeds the following:

- ADA
- ICC/ANSI A117.1
- ASME A112.19.3/CSA B45.4



Colors/Finishes

- NA: None applicable
- CP: Polished Chrome
- Other: Refer to Price Book for additional colors/finishes

Specified Model

Model	Description	Colors/Finishes
K-2608-SU	Bathroom sink, without overflow - Luster finish	<input type="checkbox"/> NA
K-2608-MU	Bathroom sink, without overflow - Mirror finish	<input type="checkbox"/> NA
K-2609-SU	Bathroom sink, with overflow - Luster finish	<input type="checkbox"/> NA
K-2609-MU	Bathroom sink, with overflow - Mirror finish	<input type="checkbox"/> NA

Required Accessories (A KOHLER drain is required. Choose from the following:)

Model	Description	CP	Other
K-7107 or K-7108 or K-7129	Grid drain without overflow (for K-2608)	<input type="checkbox"/> CP	<input type="checkbox"/> Other _____
K-7114	Pop-up drain without overflow (for K-2608)	<input type="checkbox"/> CP	<input type="checkbox"/> Other _____
K-7114-A or K-7126 (CP only)	Pop-up drain with overflow (for K-2609)	<input type="checkbox"/> CP	<input type="checkbox"/> Other _____
K-7124	Clicker drain without overflow (for K-2608)	<input type="checkbox"/> CP	<input type="checkbox"/> Other _____
K-7124-A	Clicker drain with overflow (for K-2609)	<input type="checkbox"/> CP	<input type="checkbox"/> Other _____
K-7127	Non-removable stopper drain without overflow (for K-2608)	<input type="checkbox"/> CP	<input type="checkbox"/> Other _____
K-7127-A	Non-removable stopper drain with overflow (for K-2609)	<input type="checkbox"/> CP	<input type="checkbox"/> Other _____
K-7128-A	Chain and stopper with overflow (for K-2609) (cont.)	<input type="checkbox"/> CP	

Product Specification

The oval bathroom sink shall be made of 20-gauge stainless steel. Sink shall be 19-7/8" (505 mm) in length, and 16-11/16" (424 mm) in width. Sink shall be for under-mount or drop-in installation. Sink shall be available in Luster or Mirror finish. Sink shall have high-density polyethylene overflow shell (K-2609 only). Sink shall be available with overflow or without overflow. Sink shall include basin clamp assembly. Bathroom sink shall be Kohler Model K-2608-_____-NA or K-2609-_____-NA.

BACHATA®

(cont.) Required Accessories

K-7129-A	Grid drain with overflow (for K-2609)	<input type="checkbox"/> CP	<input type="checkbox"/> Other_____
K-7131-A	Offset grid drain (for K-2609)	<input type="checkbox"/> CP	
Recommended Accessories			
K-8998	P-Trap	<input type="checkbox"/> CP	

Technical Information

Fixture:*	
Basin area	17-1/8" (435 mm) x 14" (356 mm)
Water depth [K-2608]	5-3/8" (137 mm)
Water depth [K-2609]	4-1/16" (103 mm)
Drain hole	Ø 1-5/8" (41 mm)
* Approximate measurements for comparison only.	

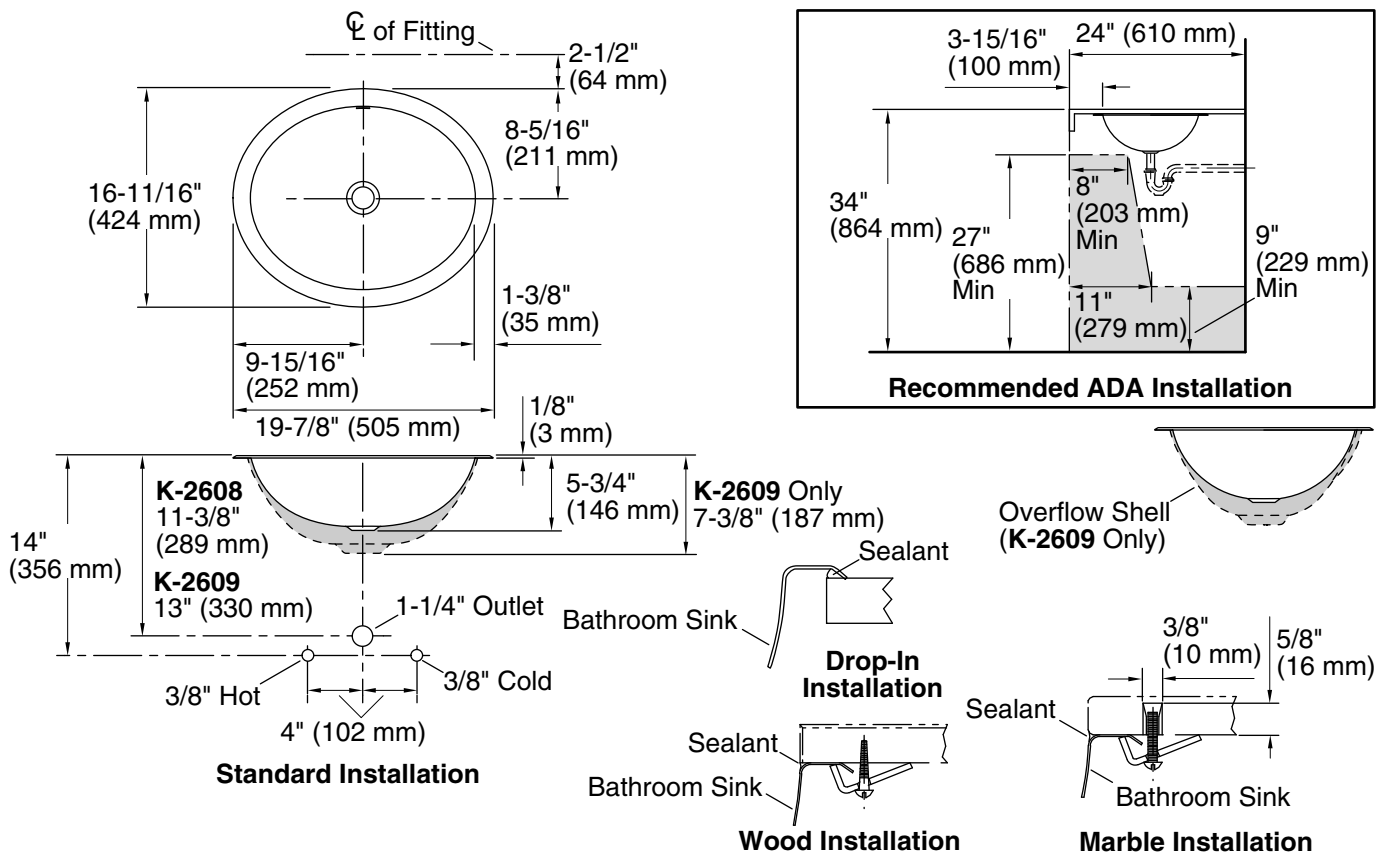
Included components:	
Basin clamp assembly	91915
Cutout template	1112065-7

Installation Notes

Install this product according to the installation guide.

Will comply with the Americans with Disabilities Act (**ADA**) when installed per requirements of the 2010 ADA Standards for Accessible Design, Section 606 Lavatories and Sinks, of the Act.

Installer must supply anchors based on countertop material and thickness.



Product Diagram