

Features

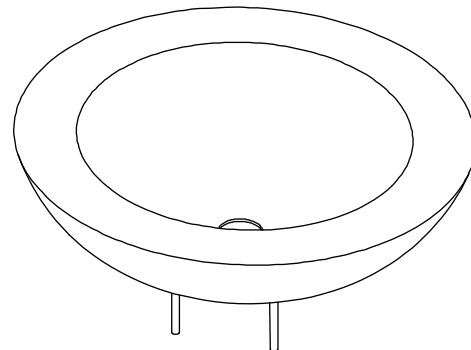
- 18 gauge stainless steel
- Above-the-counter installation
- Satin finish (-S)
- Mirror finish (-M)
- For use with wall-mount faucets
- ADA compliant when distance from rim to floor is 34" (864 mm)
- Without overflow
- Chrome tube and drain gasket included to cover the overflow hole in the faucet drain assembly
- Includes installation hardware
- 19-1/4" (489 mm) diameter

VESSELS BATHROOM SINK K-2277

ADA

CSA B651

OBC



Codes/Standards Applicable

Specified model meets or exceeds the following:

- ADA
- ICC/ANSI A117.1
- CSA B651
- OBC
- ASME A112.19.3/CSA B45.4

Colors/Finishes

- NA: None applicable

Accessories

- CP: Polished Chrome
- NA: None applicable
- Other: Refer to Price Book for additional colors/finishes

Specified Model

Model	Description	Colors/Finishes
K-2277-M	Bathroom sink with mirror finish	<input type="checkbox"/> NA
K-2277-S	Bathroom sink with satin finish	<input type="checkbox"/> NA

Recommended Accessories

K-T196	Falling Water faucet trim with 8-1/4" (210 mm) spout OR	<input type="checkbox"/> CP	<input type="checkbox"/> Other_____	
K-T197	Falling Water faucet trim with 9" (229 mm) spout OR	<input type="checkbox"/> CP	<input type="checkbox"/> Other_____	
K-T198	Falling Water faucet trim with 10-1/4" (260 mm) spout OR	<input type="checkbox"/> CP	<input type="checkbox"/> Other_____	
K-T199	Falling Water faucet trim with 10" (254 mm) spout	<input type="checkbox"/> CP	<input type="checkbox"/> Other_____	
K-307-K	Single handle ceramic valve*			<input type="checkbox"/> NA
K-9018	P-Trap	<input type="checkbox"/> CP	<input type="checkbox"/> Other_____	

*Valve must be ordered to complete Falling Water faucet.

Product Specification

The bathroom sink shall be made of 18-gauge stainless steel. Bathroom sink shall be 19-1/4" (489 mm) in diameter. Bathroom sink shall be for above-the-counter installation. Bathroom sink shall be for use with wall-mount faucets. Bathroom sink shall be available with a satin finish (-S), or mirror finish (-M). Bathroom sink shall include installation hardware. Bathroom sink shall be without overflow. Bathroom sink shall include a chrome tube and drain gasket to cover overflow hole in the faucet drain assembly. Bathroom sink shall be ADA compliant when distance from rim to floor is 34" (864 mm). Bathroom sink shall be Kohler Model K-2277-M-NA or K-2277-S-NA.

Recommended Accessories

K-7124	Clicker drain without overflow holes OR	<input type="checkbox"/> CP	<input type="checkbox"/> Other_____
K-7127	Drain without overflow holes OR	<input type="checkbox"/> CP	<input type="checkbox"/> Other_____
K-7129	Grid drain without overflow holes	<input type="checkbox"/> CP	<input type="checkbox"/> Other_____

Technical Information

Fixture*:	
Basin area	Ø 15-3/4" (400 mm)
Water depth	Ø 4-1/2" (114 mm)
Drain hole	Ø 1 5/8" (41 mm)
*Approximate measurements for comparison only.	

Included components:	
Drain gasket	1025650
Tube	1011037-CP
Basin clamp assembly	88007
Cut-out template	1002988-7

Installation Notes

Install this product according to the installation guide.

Spout must be a minimum of 8" (203 mm) long for adequate clearance into bathroom sink when installed with centerline as shown.

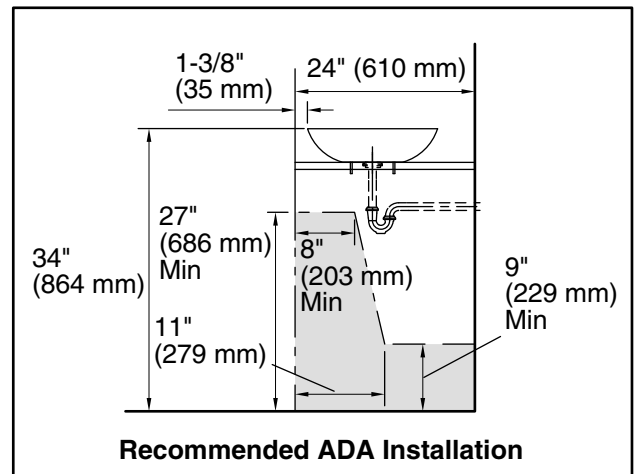
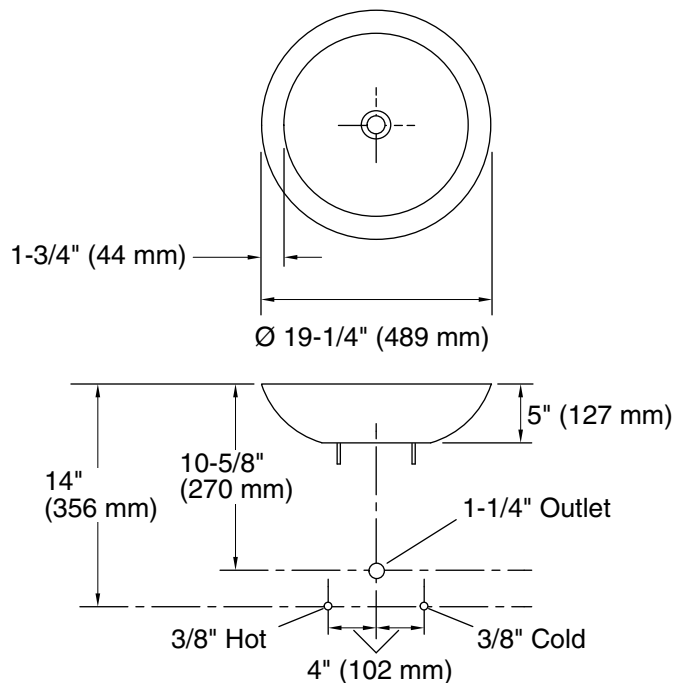
NOTICE: This product rests on the countertop. Consider the height of the product when designing the installation.

NOTICE: Countertop manufacturer or cutter **must** use the cut-out template provided with the product, or a current one provided by Kohler Co. (call 1-800-4KOHLER). Kohler Co. is not responsible for cut-out errors when the incorrect cut-out template is used.

Will comply with **ADA** when installed per Section 606 Lavatories of the Act.

Will comply with **CSA B651** when installed per Clause 4.3.3 of the standard.

Will comply with **OBC** when installed per Clause 3.8.3.11.



Product Diagram