

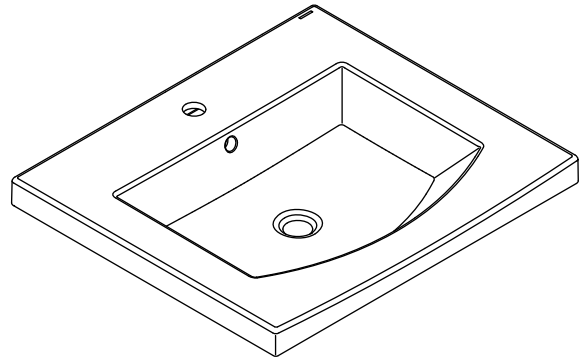
Features

- Vitreous china
- Countertop installation
- With overflow
- 8" (203 mm) centers (-8), 4" (102 mm) centers (-4), or single-hole (-1)
- Also installs to K-2526, K-2527 and K-2529 vanities
- 25-1/4" (641 mm) x 22" (559 mm)

Codes/Standards Applicable

Specified model meets or exceeds the following:

- ASME A112.19.2/CSA B45.1



Colors/Finishes

- 0: White
- Other: Refer to Price Book for additional colors/finishes

Accessories

- CP: Polished Chrome
- Other: Refer to Price Book for additional colors/finishes

Specified Model

Model	Description	Colors/Finishes	
K-2956-1	Bathroom sink with single faucet hole	<input type="checkbox"/> 0	<input type="checkbox"/> Other_____
K-2956-4	Bathroom sink with 4" (102 mm) centers	<input type="checkbox"/> 0	<input type="checkbox"/> Other_____
K-2956-8	Bathroom sink with 8" (203 mm) centers	<input type="checkbox"/> 0	<input type="checkbox"/> Other_____
Recommended Accessories			
K-8998	P-Trap	<input type="checkbox"/> CP	<input type="checkbox"/> Other_____

Product Specification

The countertop bathroom sink shall be made of vitreous china. Bathroom sink shall be 25-1/4" (641 mm) in length, and 22" (559 mm) in width. Bathroom sink shall have single-hole (K-2956-1), 4" (102 mm) centers (K-2956-4), or 8" (203 mm) centers (K-2956-8). Bathroom sink also installs to K-2526, K-2527 and K-2529 vanities. Bathroom sink shall be Kohler Model K-2956-_____-_____.

PERSUADE[®] CURV

Technical Information

Fixture*:	
Basin area	18-13/16" (478 mm) x 13-7/8" (352 mm)
Water depth	2-1/2" (64 mm)
Drain hole	Ø 1-3/4" (44 mm)
* Approximate measurements for comparison only.	

Holes	K-2956-1	K-2956-4	K-2956-8
Spout	Ø 1-3/8" (35 mm)	Ø 1-1/4" (32 mm)	Ø 1-3/8" (35 mm)
Faucet		Ø 1-1/4" (32 mm)	Ø 1-3/8" (35 mm)

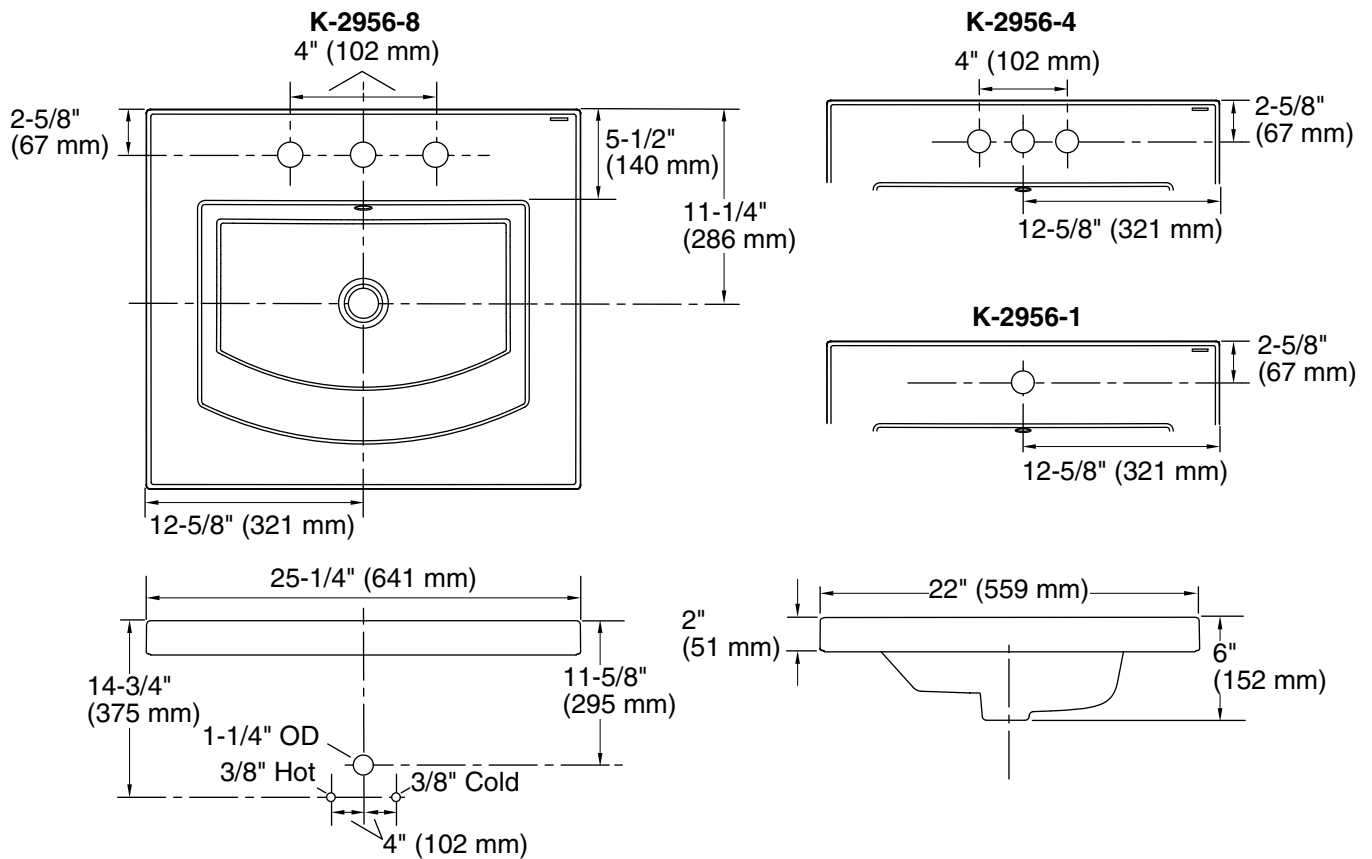
Included components:	
Cut-out template	1139967-7

Installation Notes

Install this product according to the installation guide.

NOTICE: Countertop manufacturer or cutter **must** use the cut-out template provided with the product, or a current one provided by Kohler Co. (call 1-800-4KOHLER). Kohler Co. is not responsible for cutout errors when incorrect cut-out template is used.

NOTE: This bathroom sink is also designed for installation to the K-2526, K-2527 and K-2529 vanities.



Product Diagram