

Features

- KOHLER cast iron
- Without overflow
- Under-mount
- 19-5/8" (498 mm) x 15" (381 mm)

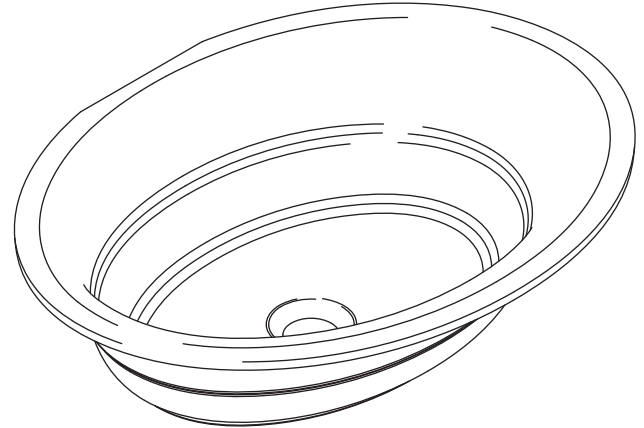
UNDER-MOUNT BATHROOM SINK K-2832

ADA

Codes/Standards Applicable

Specified model meets or exceeds the following:

- ADA
- ASME A112.19.1/CSA B45.2
- ICC/ANSI A117.1



Colors/Finishes

- 0: White
- Other: Refer to Price Book for additional colors/finishes

Accessories:

- CP: Polished Chrome
- Other: Refer to Price Book for additional colors/finishes

Specified Model

Model	Description	Colors/Finishes	
K-2832	Under-mount bathroom sink	<input type="checkbox"/> 0	<input type="checkbox"/> Other_____
Required Accessory			
K-7126	Drain	<input type="checkbox"/> CP	<input type="checkbox"/> Other_____
Recommended Accessory			
K-9018	Trap	<input type="checkbox"/> CP	<input type="checkbox"/> Other_____

Product Specification

The under-mount bathroom sink shall be 19-5/8" (498 mm) in length and 15" (381 mm) in width. Bathroom sink shall be made of cast iron. Bathroom sink shall not have overflow. Bathroom sink shall be Kohler Model K-2832-_____.

GARAMOND®

Technical Information

Fixture:*	
Basin area	19-5/8" (498 mm) x 15" (381 mm)
Drain hole	Ø 1-3/4" (44 mm)
Water depth	Ø 5-1/2" (140 mm)
* Approximate measurements for comparison only.	
Included Components:	
Basin clamp assembly	52047
Cut-out template	1046629-7

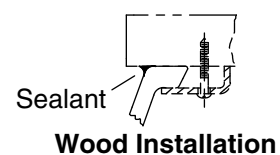
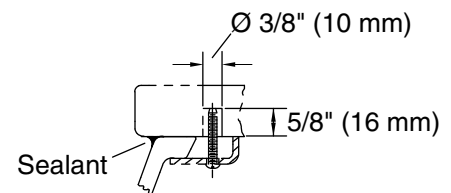
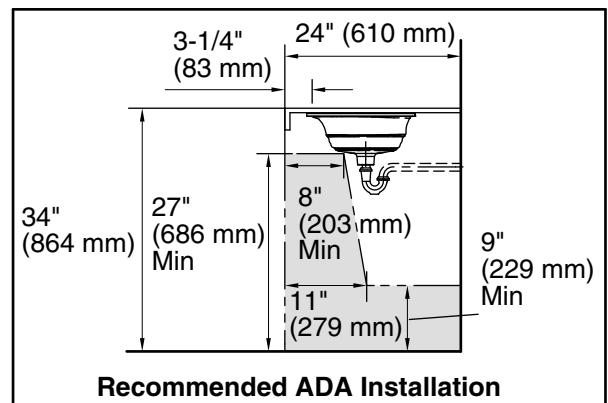
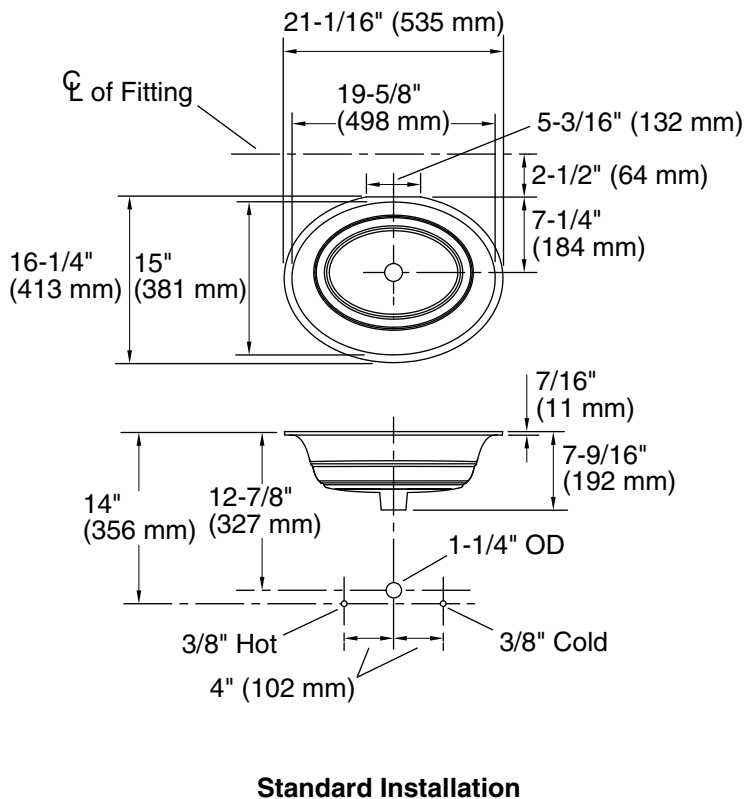
Installation Notes

Install this product according to the installation guide.

Product does not have overflow.

Supplied basin clamp assemblies require 1" (25 mm) minimum countertop thickness. Installer must supply anchors for thinner countertops.

NOTICE: The countertop manufacturer or cutter **must** use the cutout template provided with the product, or a current one provided by the Kohler Co. (call 1-800-4KOHLER). Kohler Co. is not responsible for cutout errors when the incorrect cutout template is used.



Product Diagram